

COATS® **GTS** series

GTS50/60/70 and GTS90

Rim Clamp® Tire Changers

For servicing single piece automotive and most tubeless light truck tire/wheel assemblies.

Any other type, including tube type and agricultural, require special handling.

Tires identified as truck tires need to adhere to OSHA standard 1910.177.



See
RIM Safety page vi.
★ **Operating
Instructions**
on page 4.

Safety Instructions **Set-up Instructions** **Operation Instructions** **Maintenance Instructions**

READ these instructions before placing unit in service. KEEP these and other materials delivered with the unit in a binder near the machine for ease of reference by supervisors and operators.

HENNESSY INDUSTRIES, INC.

1601 J. P. Hennessy Drive, LaVergne, TN USA 37086 615/641-7533 800/688/6359 www.coatsgarage.com
HENNESSY INDUSTRIES INC. Manufacturer of AMMCO®, COATS® and BADA® Automotive Service Equipment and Tools.

Manual Part No.: 85610001 03
Revision: 04/16



NOTICE

Read entire manual before assembling, installing, operating, or servicing this equipment.

Table of Contents

Tire Specifications Diagram	iv
Safety Instructions	v
Owner's Responsibility.....	v
Operator Protective Equipment	v
Definitions of Hazard Levels	v
Safety Notices and Decals	vi
Remember R.I.M.	vi
Setup Instructions	1
Location.....	1
Workspace Requirements.....	1
Air Source.....	1
Electrical Source.....	1
Floor Mounting.....	1
Principal Operating Parts.....	2
Know Your Unit.....	2
Operating Instructions	5
Tire Bead Loosening and Demounting.....	5
Tire Mounting.....	9
Inflation	11
Bead Sealing	12
Bead Seating	13
Inflation.....	14
Stages of Inflation on a Conventional Tire and Rim	15
Bead Sealing	15
Bead Seating	15
Inflation.....	15
Mismatched Tires and Wheels.....	16
Custom and Special Wheels	17
Alloy Wheels.....	17
European Performance Wheels (Asymmetrical Hump)....	17
Wheels with Low Pressure Warning Sensors.....	17
Tube Type Tires	17
Mounting.....	17
Demounting.....	17
Maintenance Instructions	18
Duckhead® Mount/Demount Tool Cleaning	19
Pressure Limiter Maintenance (if equipped)	19
Oil Injector Maintenance	20
Decal Locations	21

Tire Specifications Diagram



Safety Instructions

Owner's Responsibility

To maintain machine and user safety, the responsibility of the owner is to read and follow these instructions:

- Follow all installation instructions.
- Make sure installation conforms to all applicable Local, State, and Federal Codes, Rules, and Regulations; such as State, Federal OSHA Regulations and Electrical Codes.
- Carefully check the unit for correct initial function.
- Read and follow the safety instructions. Keep them readily available for machine operators.
- Make certain all operators are properly trained, know how to safely and correctly operate the unit, and are properly supervised.
- Allow unit operation only with all parts in place and operating safely.
- Carefully inspect the unit on a regular basis and perform all maintenance as required.
- Service and maintain the unit only with authorized or approved replacement parts.
- Keep all instructions permanently with the unit and all decals/labels/notices on the unit clean and visible.
- Do not override or bypass safety features.

Operator Protective Equipment

Personal protective equipment helps make tire servicing safer. However, equipment does not take the place of safe operating practices. Always wear durable work clothing during tire service activity. Loose fitting clothing should be avoided. Tight fitting leather gloves are recommended to protect operator's hands when handling worn tires and wheels. Sturdy leather work shoes with steel toes and oil resistant soles should be used by tire service personnel to help prevent injury in typical shop activities. Eye protection is essential during tire service activity. Safety glasses with side shields, goggles, or face shields are acceptable. Back belts provide support during lifting activities and are also helpful in providing operator protection. Consideration should also be given to the use of hearing protection if tire service activity is performed in an enclosed area, or if noise levels are high.

Definitions of Hazard Levels

Identify the hazard levels used in this manual with the following definitions and signal words:

DANGER

Watch for this symbol:



It Means: Immediate hazards, which will result in severe personal injury or death.

WARNING

Watch for this symbol:



It Means: Hazards or unsafe practices, which could result in severe personal injury or death.

CAUTION

Watch for this symbol:



It Means: Hazards or unsafe practices, which may result in minor personal injury or product or property damage.



Watch for this symbol! It means BE ALERT! Your safety, or the safety of others, is involved!

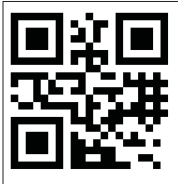
Safety Notices and Decals



Failure to follow danger, warning, and caution instructions may lead to serious personal injury or death to operator or bystander or damage to property. Do not operate this machine until you read and understand all the dangers, warnings and cautions in this manual. For additional copies of either, or further information, contact:

Hennessy Industries, Inc.

1601 JP Hennessy Drive
LaVergne, TN 37086-3565
(615) 641-7533 or (800) 688-6359
www.coatsgarage.com



For additional information contact:

Rubber Manufacturers Association

1400 K Street N. W., Suite 900
Washington, DC 20005
(202) 682-4800
www.rma.org

Tire Guides, Inc.

The Tire Information Center
1101-6 South Rogers Circle
Boca Raton, FL 33487-2795
(561) 997-9229
www.tireguides.com

Remember R.I.M.

Three Simple Steps To Help Keep Shops Safe

READ INSPECT MOUNT

R.I.M. is a training program developed by Hennessy Industries to help keep tire technicians safe. By following the basic principles of R.I.M., technicians can avoid situations that can cause catastrophic accidents like tire explosions.

R.I.M. stands for read, inspect, and mount:

Read the tire size on a new tire before mounting to make sure it is the proper size for the wheel.

Inspect the wheel for cracks, rust, and or other damage that could cause an unsafe situation.

Mount the tire safely, making sure not to put any part of your body over the tire during inflation.

The most serious of possible accidents is a tire explosion. This is often caused by a tire/rim mismatch.

If a tire explodes on a tire changer, pressure causes it to fly straight up at tremendous speed. If a technician is standing over the tire, he can be seriously injured or killed.

Hennessy's R.I.M. program allows the technician to avoid situations that can cause tire explosions and other accidents. The full program, including training videos, brochures, posters, and other materials, is available from Coats distributors nationwide.



For more details, contact your Coats distributor or e-mail us.

Setup Instructions

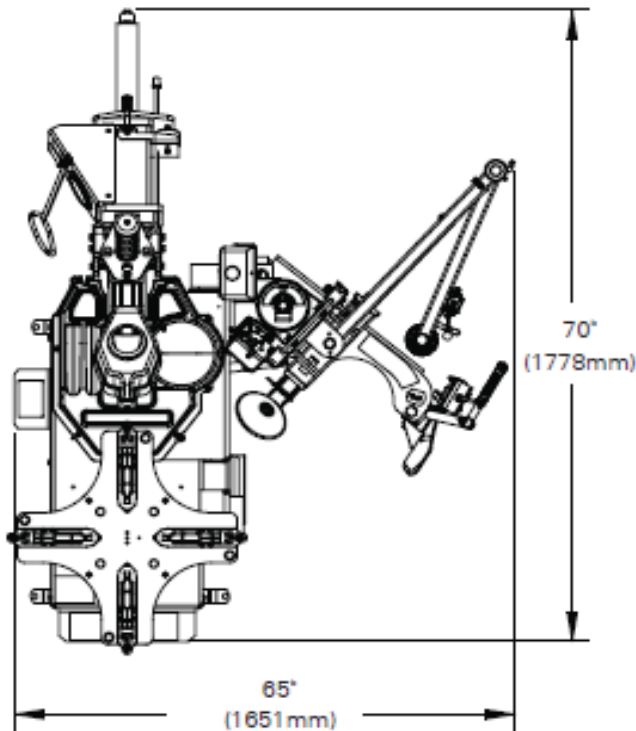


Proper unit installation is necessary for safe use and efficient operation. Proper installation also helps protect the unit from damage and makes service easier. Always place safety poster and instructions near the unit.

Location

Select a location using the drawings below. The area should provide the operator with enough space to use the equipment in a safe manner. The area selected should be well lit, easy to clean and should be away from oil, grease, brake lathe chips, etc. Avoid areas where bystanders and customers may be present.

Workspace Requirements



Air Source

The all-air models require a 14 to 15 CFM air source at 150 PSI. The air/electric models require a 5 CFM air source at 150 PSI. The operating pressure for all models is 120 PSI at the machine.

The unit is furnished with a 1/4-inch pipe thread male fitting for easy connection. This connection is located on the right side of the rear of the machine. A 1/4-inch ID hose (or pipe) for connection to the machine is satisfactory. Sufficient air pressure ensures good performance.

Electrical Source

Electrical models require power as follows:

15 amp, 115V electrical circuit, single phase

15 amp, 230V electrical circuit, single phase (Export)

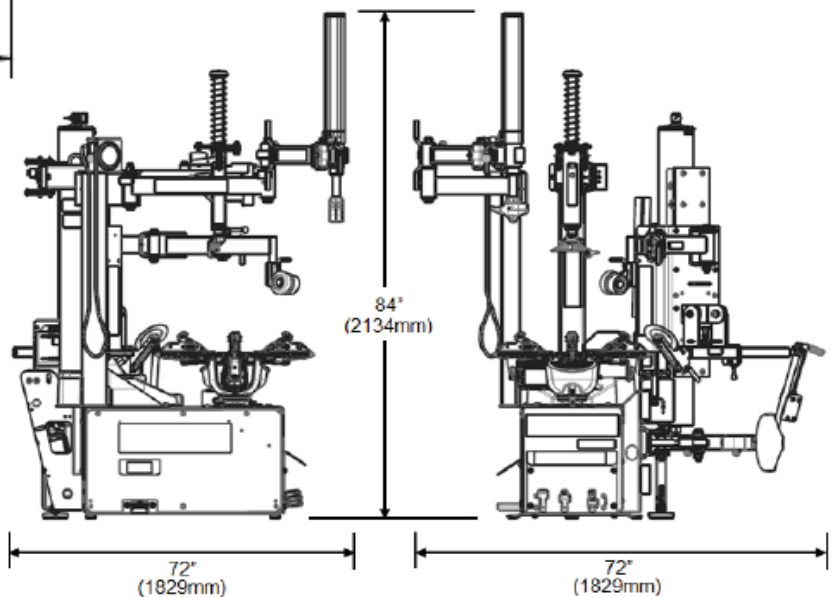
Refer to the caution decal that is located by the unit's power cord.

Refer to the serial tag located on the lower part of the machine for specific electrical requirements for the unit. Have a licensed electrical technician perform any necessary changes to the power source before plugging in the unit. The electrical source must have a solid connection (less than 1 ohm) between ground and building ground.

Floor Mounting

As Hennessy can not be certain of the environment and conditions of the locations where the equipment will be installed, it is recommended that the safety manager review the shop floor conditions and local regulatory practices to determine if bolting of the equipment to the shop floor is necessary or advisable.

GTS90 with Robo-Arm®



Principal Operating Parts

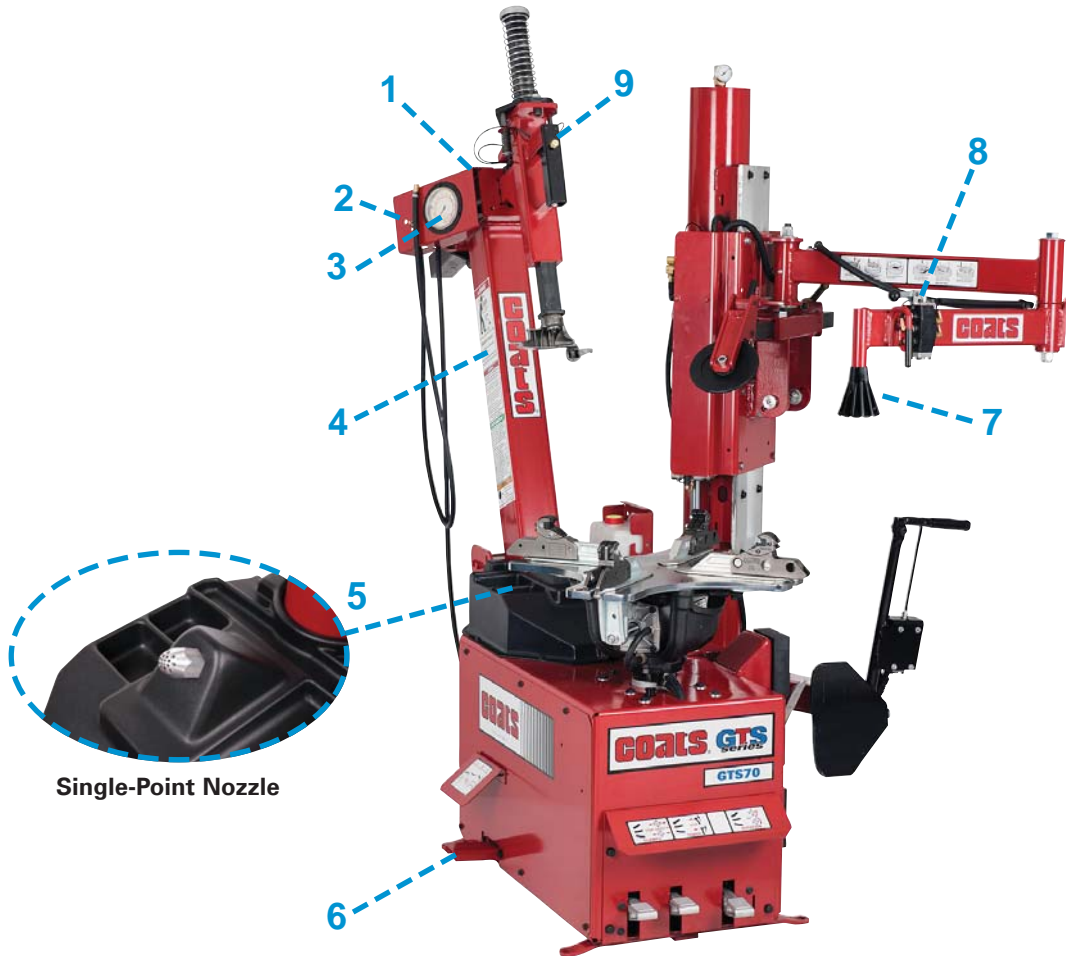
Do It Now!

Now is a good time to contact product service to start warranty, otherwise warranty starts at time of shipment.

Know Your Unit

Compare this illustration with the unit before placing it into service. Maximum performance and safety will be obtained only when all persons using the unit are fully trained in its parts and operation. Each user should learn the function and location, of all controls.

Prevent accidents and injuries by ensuring the unit is properly installed, operated and maintained.



Single-Point Nozzle



Replace any damaged or missing safety decals. They are available from COATS, (800) 688-6359.

1 Tilt Tower — Support for horizontal and vertical slides.

2 Release Valve — Allows the manual release of air pressure from tire when clip-on chuck is attached to tire valve.

3 Air Inflation Gauge — Registers tire pressure when clip-on chuck is attached to tire valve stem and inflation nozzle is released.

4 Important Safety Decal — Important safety information for the operator. DO NOT obstruct with tire stickers or other materials.

***5 Bead Sealing Nozzle** — Some models are equipped with a single-point nozzle bead sealer. Expands tire sidewall to bead seat area of rim to seal tire to rim and allow inflation.

6 Inflation Pedal — Three-position pedal that registers tire pressure, allows inflation of tires through air hose and clip-on chuck or allows air flow through bead sealing nozzle.

7 Robo-Arm® (if equipped) — Provides extra leverage for runflat and low profile tires.

8 Robo-Arm Valve (if equipped) — Controls vertical movement of robo-arm slide cylinder. Used to set correct vertical position to maintain robo-arm disk-assist wheel clearance.

9 Slide Locking Valve — Locks and unlocks horizontal/vertical slide and sets correct vertical/horizontal position to maintain Duckhead® mount/demount tool to wheel clearance.

10 DuckHead Mount/Demount Tool — Used to mount and demount tire from wheel.

11 Clamps — Holds wheel to table top for tire changing. Position outward to allow outside clamping of wheels.

12 Table Top — Rotating chuck for tire changing.

13 Clamp Control Pedal — Three-position pedal that opens, holds or closes rim clamps.

14 Tower Tilt Pedal — Two-position pedal that moves tower forward or back.

15 Table Top Pedal — Four-position pedal that controls rotation of table top (forward-fast, forward-slow, off, reverse).

16 Bead Lifting Tool — Used to lift and position tire bead correctly on Duckhead mount/demount tool.

17 Tire Bumper Guards — Provides protective surface when bead loosening tires.

18 Bead Loosener Shoe — Pivoting shoe for loosening tire beads.

***19 Lube Bucket** — Dispenser for rubber lubricant.

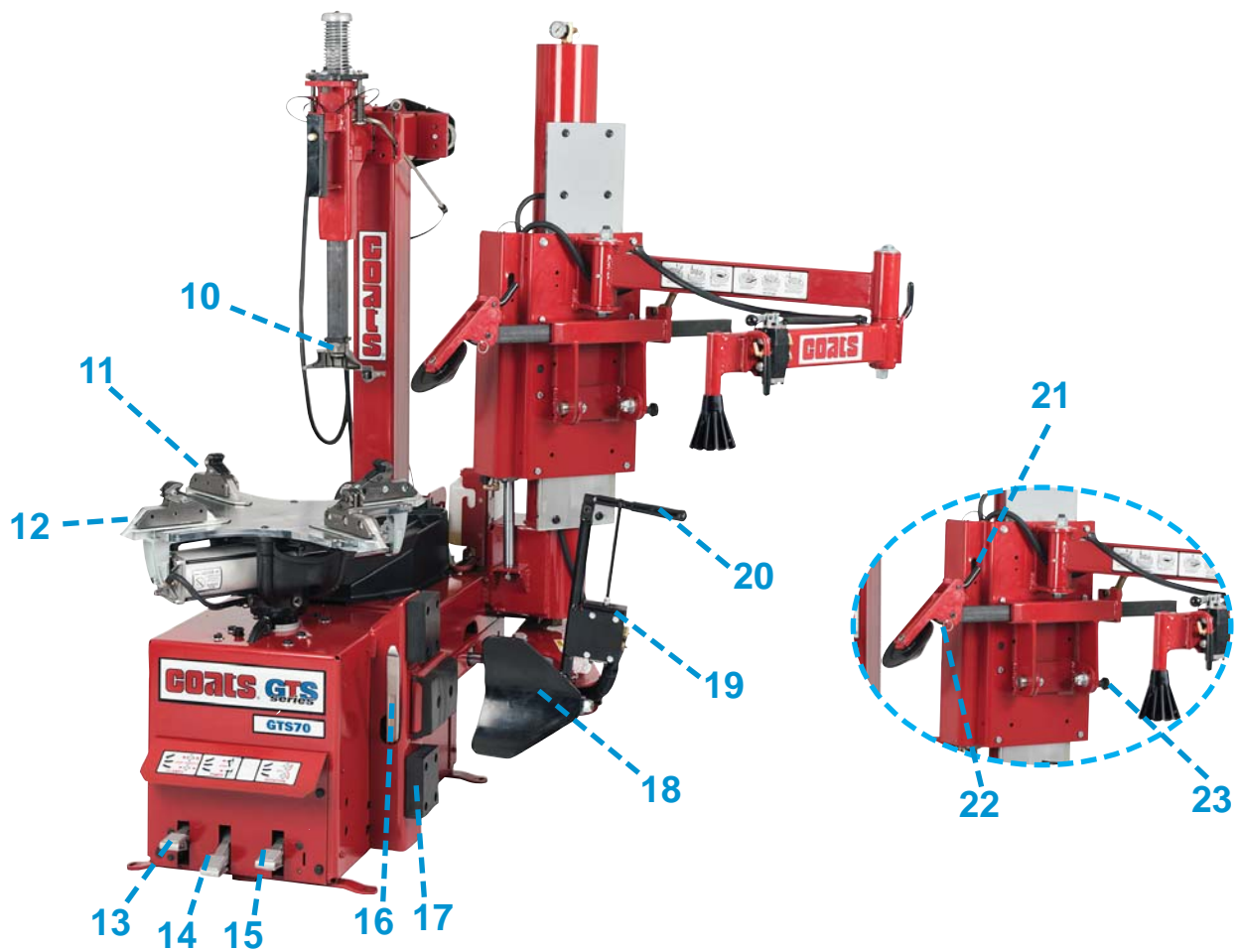
20 Bead Loosener Handle — Pull handle up or down to control operation of bead loosener shoe.

21 Horizontal Disk-Assist Control Lever — Locks and unlocks horizontal slide. Used to position disk-assist for bead lubrication, assist with tire mounting, and demounting lower bead without tire tool.

22 Disk-Assist Hitch Pin (if equipped) — Allows extra clearance when tire changing large diameter wheel assemblies.

23 Disk-Assist Position Lock (if equipped) — Locks and unlocks horizontal slide to flip the disk-assist for either upper or lower bead positioning.

*Not Shown





GTS-90

24 Robotic Arm Control Valve — Controls vertical movement of robotic arm cylinder.

25 Robo-Arm® — Provides extra leverage for runflat and low profile tires.

26 Leverless Bead Lifter Tool — Used to hook under tire bead lip for top bead removal when demounting tire from wheel. Used as a helper device when mounting tire on wheel.

27 Leverless Bead Lifter Control — Controls vertical movement of Leverless Bead Lifter

Tool.

28 Robo-Assist™ — Roller provides extra leverage for runflat and low profile tires.

Operating Instructions

This unit must be properly operated and properly maintained to help avoid accidents that could injure the operator or bystanders, or damage the unit. This section of the Operating Instructions manual review basic operations and use of controls. These instructions should be reviewed with all employees before they are allowed to work with the machine. Keep these instructions near the machine for easy reference.

Tire Bead Loosening and Demounting



This machine may operate differently from machines you have previously operated. Practice with a regular steel wheel and tire combination to familiarize yourself with the machine's operation and function.

Note: Remember to remove all weights from both sides of the wheel. Weights left on backside of wheel may cause the wheel to be clamped unlevelled. This may result in the Duckhead® mount/demount tool contacting the rim causing scratches. On alloy wheels, always rotate the wheel one turn after setting the mount/demount tool to insure proper wheel clamping.

Note: Always review with the owner any nicks and scratches on expensive wheel and tire combinations prior to servicing.

Note: Review the performance wheel section of this manual prior to servicing performance tire/wheel combinations.



Loosening the beads on a partially or fully inflated tire is unsafe and causes excess movement and friction against the bumper pads and excessive wear on pivots. Deflate the tire completely to prolong the life of your machine.

1. Deflate the tire completely by removing the valve core from the valve stem (figure 1). Be cautious and do not smoke as a *flammable gas could have been introduced into the tire at some time.*



Figure 1 - Remove Valve Core to Deflate Tire



Tires are always installed and removed from the rim's narrow side.

Note: Always loosen the bead on the narrow side of the wheel's drop center first (tire removed in figure 2 for clarity).

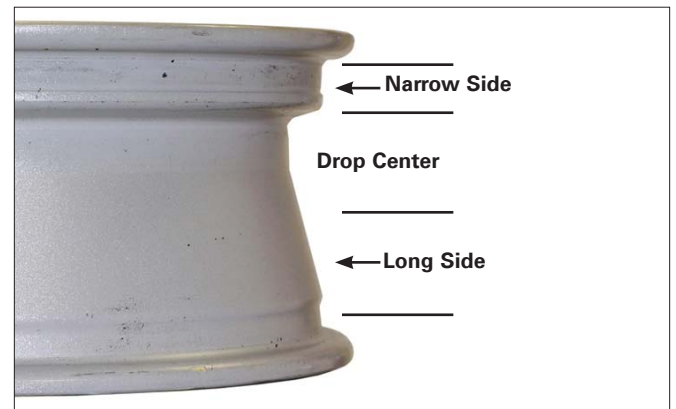


Figure 2 - Determine Narrow Side of Wheel

Note: The clamps on the table top may extend beyond the table top itself. To avoid damaging clamps, move them to their full inward position before positioning a tire for bead loosening.

Note: Use extra care in positioning the bead loosener shoe on larger wheels/tires, and on alloy wheels. Make sure the shoe rests next to but not on the rim, and not on the tire sidewall.

2. Actuate valve (or pull) to position the bead loosener shoe away from the machine and roll wheel into position. The valve stem should be in the 2 o'clock position to accommodate a possible asymmetric safety hump type rim. Position the bead loosener shoe against the tire next to, but not on, the rim. Actuate the bead loosener hand valve to position the shoe and loosen the bead. It may be necessary to loosen the bead in multiple locations around the tire (figure 3).



Figure 3 - Position Tire and Bead Loosener Shoe with Valve Stem in 2 o'clock Position.

3. Turn the wheel around and repeat loosening procedure on the other side of the wheel (figure 4). This should be the long side of the drop center (figure 2).



Figure 4 - Position Tire and Bead Loosener Shoe With Wheel Turned Around and Valve Stem in 2 o'clock Position.

Note: It will be easier to outside clamp the wheel to the table top if the long side of the rim is loosened last.

4. Apply tire manufacturer's approved rubber lubricant liberally to entire circumference of both tire beads after loosening (figure 5).



Figure 5 - Apply Rubber Lubricant to Tire Beads

5. Determine the mounting side of the wheel. The mounting side is the narrow side of the drop center. See figure 2 for more information on the drop center.

Note: The wheel clamps can be positioned in one of two different ranges:

- Use inner holes for 6-22-inch diameter wheels
- Use outer holes for 8-24-inch diameter wheels

6. Place tire/wheel assembly on table top with mounting side up (figure 6).

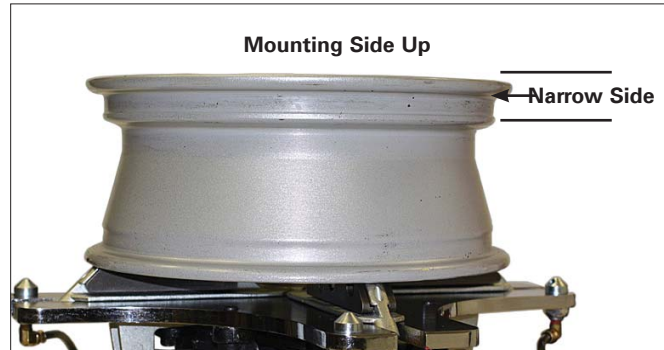


Figure 6 - Place Tire/Wheel Assembly on Table top



Clamp control pedal must be in the full up or full down position (detent position) to maintain clamping force on wheel.

7. If equipped, use Robo-Arm with cone to apply pressure to aid in clamping rim (figure 7). Use the clamp control pedal to move the clamps inward (push pedal down) or outward (toggle pedal up). Engage the detent position (pedal in full up or full down position) to maintain clamped or unclamped pedal position.

Clamp steel wheels from the inside (clamps push outward against wheel). Clamp alloy and custom wheels from the outside (clamps push inward against the outside rim edge). Refer to the Performance Tires and Wheels section.



Figure 7 - Robo-Arm® Aids Clamping

8. Take time to experiment with the Duckhead® mount/demount tool locking system (figure 8).

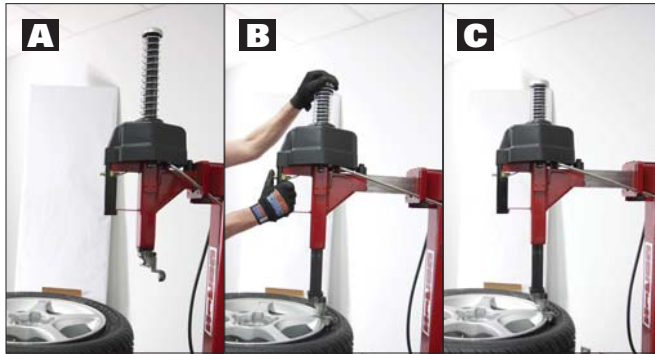


Figure 8 - Position slide lock as shown, **A** - Slide/duckhead locked in fully retracted position, **B** - Slide/duckhead unlocked for positioning, and **C** - Slide/duckhead locked into position

CAUTION

Before tilting tower forward, always be sure Duckhead mount/demount tool is in the fully retracted position. The tool clearance may change with machine use and should be inspected often. Failure to maintain the proper clearance may result in damage to the wheel rim and/or tire.



9. Using foot pedal, position tower forward (figure 9). See figure 8 for mount/demount tool movement and locking. With tower forward, press the slide lock valve button to allow mount/demount tool to descend on the tire sidewall (figure 9). Then move the mount/demount tool toward rim and release the locking button.

Figure 9 - Position Mount/Demount Tool

10. Check mount/demount tool positioning. A metal Duckhead mount/demount tool will move up and back about 1/8-inch from the rim edge after it is locked. This clearance will be maintained as long as the slide locking valve remains locked. The operator may move the tower back out of the way and back into place again without needing to reposition the mount/demount tool (when clamping a like set of wheels).

Note: If equipped, when positioning the mount/demount tool toward rim, use disk-assist in upper position to press down on tire sidewall (figure 10). Once the bead lifting tool is in place, raise the Disk-assist off the tire.

CAUTION

At times during the mounting and demounting procedure, the bead lifting tool may encounter resistance and can be thrown. Keep one hand firmly on the tool to avoid possible tool disconnect. Use the reversing feature to back out of jam-ups. A thrown tool can cause injury.

11. Apply tire manufacturer's approved rubber lubricant liberally to entire circumference of both beads after bead loosening and clamping wheel on table top.



Figure 10 - Apply Rubber Lubricant to the Beads

Note: If equipped, use disk-assist in upper position to hold down the top bead (figure 10), while rotating wheel to make tire lubrication easier.

Note: Normal table top rotation for demounting is clockwise. Depress table top pedal to rotate this direction. To rotate table top counterclockwise, lift pedal up with your toe.

Note: Table top rotation can be stopped at any time by removing your foot from the rotation pedal.

12. Insert the smooth curved end of the bead lifting tool over the forward end of the demount tool and below the top bead of the tire. Lift the bead up and over the knob on the demount tool (figure 11). Also, note the valve stem position to the demount tool.



Figure 11 - Insert Bead Lifting Tool

Note: If equipped, use disk-assist in upper position to press down on tire sidewall in front of mount/demount tool. It will aid in locating the bead lifting tool over forward end of mount/demount tool and below the top bead of the tire (figure 11).

13. Depress the table top pedal to rotate the wheel. The Duckhead demount tool will guide the tire bead up and over the edge of the wheel. Continue rotation until the upper tire bead is demounted.



Figure 12 - Demount Upper Bead

Note: Push down on tire (if equipped, use Robo-Arm®) across from the demount tool during table top rotation to utilize drop center area of the wheel. This reduces tensional force on the top or first bead during demount.

14. Lift and hold the tire at an angle so that the lower bead is resting in the drop center directly across from the demount tool, and is loose below the demount tool (figure 14). Insert the smooth curved end of the bead lifting tool down over the forward end of the mount/demount tool and below the lower bead. Lift the bead up and over the knob on the demount tool (figure 13).



Figure 13 - Guide Lower Bead Over Knob On Demount Tool

Note: If equipped, use disk-assist in lower position and clear of table top rotation to aid in pushing up on lower bead of the tire (figure 14). This helps the tire to not slide out of drop center and back on to the rim.



Figure 14 - Disk-assist Aiding Lower Bead Demount

Note: If equipped, use the disk-assist to aid in changing large diameter tires. When moving the disk-assist from the upper position to the lower position, it may be necessary to stow the disk-assist away (figure 15) by removing the hitch pin.



Figure 15 - Stow the Disk-assist Away

15. Depress the table top pedal to rotate the wheel. The demount tool will guide the bead up and over the edge of the wheel. Continue rotation until lower bead is demounted.

16. Depress the tower pedal to move the tilt tower in the backward position to remove the tire.

Tire Mounting

This information must be read and followed carefully to prevent accidents and injuries during mounting.

DANGER

Mounting a mismatched tire and wheel will cause an explosion before it bead seats during inflation. Attempts to force a bead seat, by increasing air pressure, on mismatched tires and wheels will cause the tire to violently explode, causing serious personal injury or death to operator and/or bystanders if standing over tire and wheel.

WARNING

Check tire and wheel carefully before mounting. Make sure the tire bead diameter and wheel diameter match exactly. Consult the tire manufacturer's recommendations, Tire Guide and/or Rubber Manufacturer's Association for approved rim widths for tire sizes.

WARNING

Never mount a damaged tire. Never mount a tire on a rusty or damaged wheel. Used tires may have bead and/or tread damage. Used rims may have flange damage where the tire/rim was run down the road on a flat tire. Run-flat tires are not meant to be reused! Damaged tires and/or wheels may explode.

CAUTION

When in doubt do not mount. Never mount a tire and wheel handed to you by anyone without checking both tire and wheel for damage and to be certain the sizes match. Used tires may have road hazard damage or mount/demount damage, inspect carefully. Do not let untrained persons operate tire changer and keep bystanders out of service area.

CAUTION

Forcing the tire onto the rim can cause bead damage. If you damage the tire bead during mounting, STOP!, remove tire and mark it as damaged. Do not mount a damaged tire.

1. Before any mounting, inspect tire for damage and verify size match between tire and wheel (figure 16).



Figure 16 - Verify Size Match Between Tire and Wheel

2. Inspect wheel closely for damage. Clean the wheel and remove any light corrosion or rubber residue (figure 17). Do not attempt to service a heavily corroded wheel, damaged wheel, or bent wheel.



Figure 17 - Inspect and Clean the Wheel

3. Inspect valve stem and replace if necessary. Next lubricate tire beads liberally with tire manufacturer's approved rubber lubricant (figure 18).



Figure 18 - Lubricate Tire Beads Liberally

4. Place tire over wheel and move tower arm into position. Position tire so that lower bead is above the rear extension of the Duckhead® mount/demount tool and below the front knob (figure 19). Make sure the valve stem is at the 9 o'clock position in front of bead lock to prevent TPMS sensor damage.



Figure 19 - Position Tire Against Mount/Demount Tool

5. Depress table top pedal and rotate wheel to mount lower bead. Use drop center of wheel by pushing down on tire just ahead of the mounting tool, and follow as tire rotates. Rotate table top until lower bead is mounted.

6. For top bead installation, rotate table top until the valve stem is directly across from the mount/demount tool. Lift the upper bead up and over the rear of the mount/demount tool. Press down on tire sidewall between mount/demount tool and valve stem to hold tire in rim drop center (figure 21).

Note: If equipped, use disk-assist in upper position to press down on tire sidewall in front of mount/demount tool. This helps keep the upper tire bead in the drop center of the rim (figure 21).

Note: If equipped, use Robo-Arm® to push down on tire (figure 21) 90 degrees clockwise from mount/demount tool to allow bead to utilize drop center area of rim.



Fig 21 - Hold Tire Bead In Rim Drop Center

7. Depress table top pedal and rotate tire until the top tire bead is mounted. Continue to press down on the tire to ensure bead stays in the rim drop center area ahead of mount/demount tool.

Note: If equipped, use Robo-Arm to press down on tire sidewall between Robo-Arm and disk-assist to hold tire in rim drop center. When the Robo-Arm is 180 degrees from the mounting tool, begin to lift the disk-assist off the tire.

Note: If table top rotation stalls, reverse the table top momentarily until tire bead is again loose on the wheel. Reposition tire on mount/demount tool making sure bead is correctly positioned in drop center of the wheel; then attempt mounting again.

8. Depress the tower pedal to move the tilt tower in the backward position to remove the tire/wheel assembly.

Inflation

Tire inflation is performed in three steps: BEAD SEAL, BEAD SEAT, and INFLATION. These steps are explained in detail on page 14. Read the explanation of each step and understand them thoroughly before proceeding.

DANGER

Tire failure under pressure is hazardous. This tire changer Will Not Restrain Exploding Tires, rims or other related equipment. Inspect tire and wheel carefully for match, wear, damage, or defects before mounting. Always use approved tire bead lubricant during mounting and inflation.

CAUTION

The clip-on chuck allows the operator to keep hands and entire body back from inflating tire. The chuck must be an open/freeflow style with all parts in proper working order.

CAUTION

Check for proper inflation gauge operation. Accurate pressure readings are important to safe tire inflation. Refer to the Operating Maintenance section of this manual for instructions.

CAUTION

If the rim has been clamped from the outside for tire mounting, release the clamps, lift the tire, and move the clamps to the center of the table top.

CAUTION

If the wheel/tire has a diameter larger than 14-inches and is difficult to bead seal, the clamps should be moved to the center of the table top for the bead seal operation.

The inflation pedal, located at the rear of the left side of the machine, controls the flow of air through the inflation hose, and has three positions.

Note: The clip-on chuck on the end of the hose is a safety item that must always be an open/freeflow style with all parts in proper working order.

Position 1 - Tire Pressure – With the inflation hose attached to the tire valve and the pedal in this position, the air gauge will register the air pressure in the tire. Whenever your foot is removed from the pedal, it will return to this position.

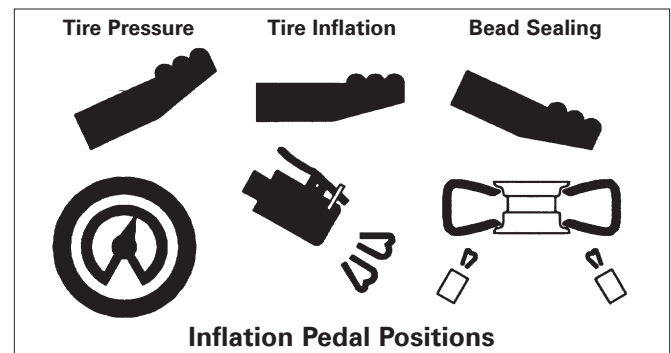
Position 2 - Tire Inflation – This is the first activated position. With the inflation hose attached (using the clip-on chuck) to the tire valve and the pedal in this position, line pressure is allowed to flow through the valve system and into the tire for inflation. Correct tire pressure is not indicated on the gauge in this position.

Position 3 - Bead Sealing – This is the second and last activated position. With the inflation hose attached to the tire valve and the pedal in this position, line pressure is allowed to flow through the valve and to the air-plate bead seal jets on the table top for bead sealing.

Note: Some models use a single-point nozzle bead sealer.

1. If the rim has been clamped from the outside for tire mounting, release the clamps, lift the tire, and move the clamps to the center of the table top.

Note the Inflation Pedal Positions (See Diagram)



CAUTION

Use of bead sealing jets without a tire in place can cause dirt and debris to be blown into the air with enough force to injure operator and/or bystander. Do not use the bead sealing control position to inflate a tire.

Note: This unit is equipped with a pressure limiter to assist the operator with proper tire inflation. When the inflation pedal is held in position 2, the pressure limiter cycles the system between position 2 (inflation) and position 1 (at rest, no airflow to tire). This cycling helps to prevent over inflation of the tire. Tires can still be over inflated and explode, when using this pressure limiter, if all of the instructions in this manual are not followed completely. The pressure limiter will keep most car and light truck tires from inflating beyond 60 PSI (smaller tires may reach higher pressures). It is the operator's responsibility to follow all instructions and to control inflation pressure as specified in these instructions. Check the function of the pressure limiter regularly and maintain it according to the instructions provided in this manual for safe and proper operation. Do not tamper with or attempt to adjust the pressure limiter. Tires requiring inflation beyond 60 PSI should be inflated in a safety cage.

Bead Sealing

1. Remove the valve core from the valve stem to allow more air flow into the tire to assist with bead seal.
2. Position valve stem in front of operator and connect the inflation hose with the clip-on chuck. Hold tire up against upper edge of the wheel. Be sure tire's top bead does not cover the bottom of the valve stem (figure 24).



Figure 24 - Lift Tire Upwards for Bead Sealing

3. Depress inflation pedal to position 2 and hold about one second to begin air flow through tire valve, then depress pedal to position 3 and hold briefly — less than one full second. The blast of air from the jet(s) will expand tire and seal the beads.
4. Release the inflation pedal and allow it to return to position 1. Verify that both beads are completely sealed to the wheel. Repeat these steps if beads have not sealed. It may be necessary to wait a few seconds for the air storage tank pressure to recover before attempting again.
5. After bead seal is achieved, remove the clip-on chuck and reinstall the valve core. Reattach the clip-on chuck after core is installed.

Bead Seating



NEVER exceed 40 PSI to seat beads while using this tire changer. If more than 40 PSI is permitted by tire manufacturer, **ALWAYS** use safety cage and clip-on chuck. **NEVER** exceed recommended pressure after seating beads. **ALWAYS** keep hands and entire body back from inflating tire.

An exploding tire, wheel, or bead sealing equipment may propel upward and outward with sufficient force to cause serious injury or death to operator or bystander.



Check tire pressure frequently. If operator is unable to obtain Bead Seat, something is wrong. Deflate tire completely, inspect tire and wheel, correct any problems found, relubricate both tire beads, and reattempt Bead Seal and Seat procedures. Follow all safety instructions in this manual and on machine.

1. Once tire pressure is indicated on the air gauge (inflation pedal in position 1; foot removed from pedal), continue to inject air into the tire (inflation pedal position 2) in short intervals. Check the pressure frequently. Stand back during bead seat. Keep hands, arms, and entire body away from tire during this procedure (figure 25).

Tire beads should move outward and “pop” into their bead seat position as pressure inside the tire increases. If this does not happen, a problem exists. Investigate carefully.

Important: Do not continue to add air pressure to force bead seat.



Figure 25 - Stand Back during Bead Seat

Inflation

WARNING

NEVER exceed tire manufacturer's recommended air pressure. Tires can explode, especially if inflated beyond these limits. Use clip-on air chuck, keep hands, arms and entire body back from inflating tire. Avoid distraction during inflation. Check tire pressure frequently to avoid over inflation. Excessive pressure can cause tires to explode, causing serious injury or death to operator or bystander.

WARNING

If you change tires defined as truck tires, they must be inflated per OSHA instructions.

1. Make sure both beads are seated. When both beads are seated, the tire is ready for inflation.

2. Replace the valve core if it was removed.

3. Depress the inflation pedal to position 2 to inflate the tire. The pressure limiter will cycle the air flow as described earlier. On most tires, the pressure limiter will cease air flow at approximately 60 PSI. On smaller volume tires the pressure may be higher.

4. Release air pressure from tire by pressing the manual release valve button (inflation hose must be attached to the valve stem, Figure 26). Never add or adjust tire pressure using an air hose without a clip-on air chuck and in-line valve. Do not use a hand-held style chuck (figure 27).

5. Important: When inflating tires that require more than 60 PSI, always use a safety cage and air hose with a clip-on air chuck and in-line valve. The air hose must have enough length between the chuck and the operation/in-line valve to allow the operator to stand outside the trajectory.



Figure 26 - Location of Manual Release Valve



Figure 27 - Do Not Use a Hand-held Style Air Chuck

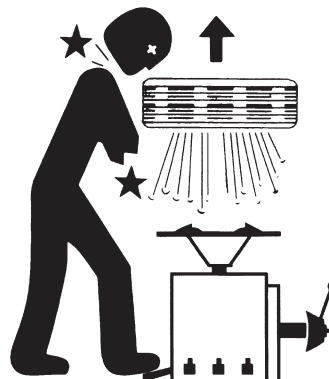
DANGER

Explosion Hazard

Never exceed 40 PSI while seating beads. If you use more than 40 PSI always use safety cage.

Remember R.I.M.

(see page vi and back cover)



DANGER

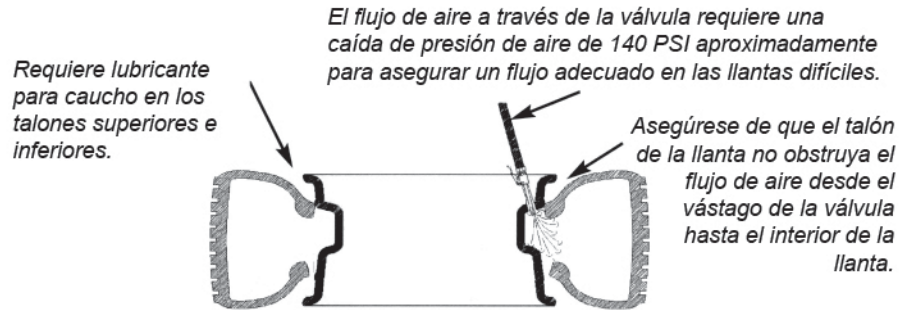
Explosion Hazard
Never inflate tire above manufacturer's recommended pressure after bead is seated.

Stages of Inflation on a Conventional Tire and Rim

Review these descriptions and diagrams carefully. Refer to them as necessary during bead sealing, bead seating, and inflation to verify that you are proceeding properly and safely.

Bead Sealing

Bead sealing is the process of capturing air pressure between the tire and the rim. The tire will usually contain about 1/2 to 2 PSI at initial bead seal.



Bead Seating

Bead seating usually occurs on the long tapered side of the wheel first and the shorter side last. Bead seating will usually require at least 7 PSI in the tire. 40 PSI is the maximum safe pressure at this stage regardless of tire operating pressure. For tires requiring more than 40 PSI to bead seat use safety cage.

Most European import cars and many aftermarket alloy wheels are very tight and can be difficult to bead seat. Also note that asymmetrical hump and run-flat tires are extremely difficult to bead seat. Follow tire manufacturer's recommended procedure for bead seating.



Inflation

After the beads are seated, the tire is ready to be inflated. Do not inflate the tire above the manufacturer's recommended pressure as stamped on the tire sidewall. The typical inflation pressure for automobile tires is between 24 and 45 PSI. Light truck inflation pressure typically covers a wider range.

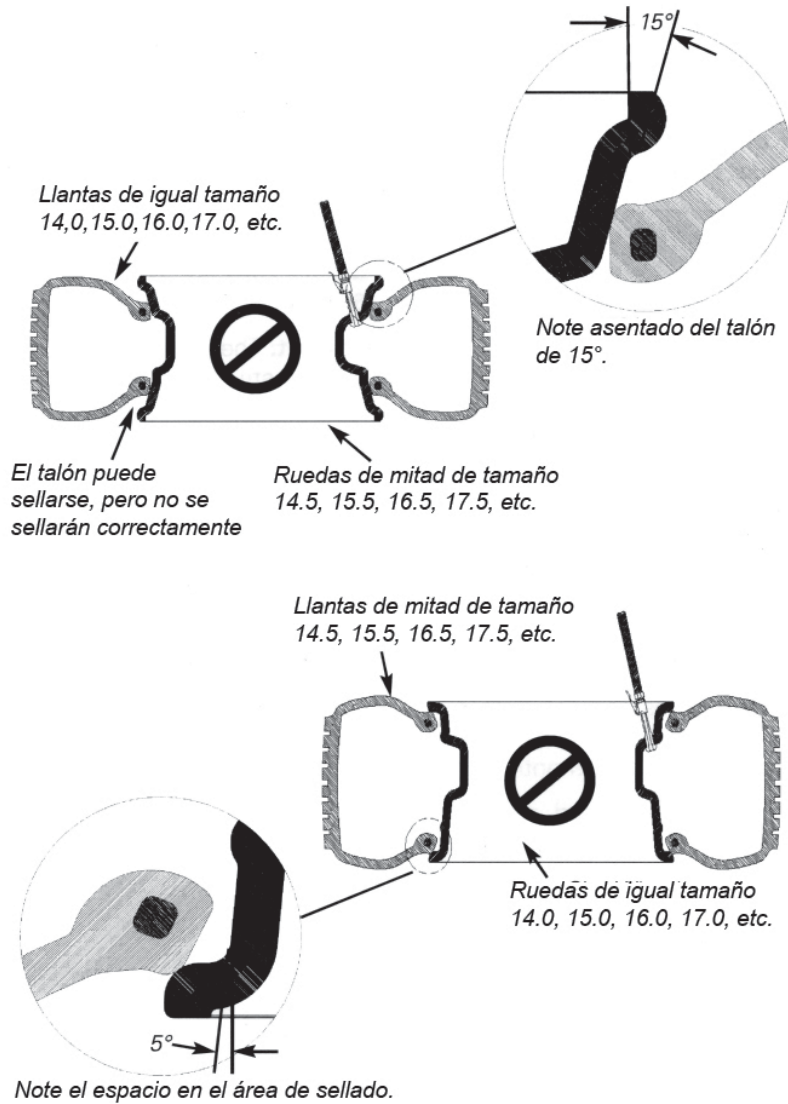


Mismatched Tires and Wheels

Never mount and inflate mis-matched tires and wheels.

! DANGER

Mismatched tire and wheel combinations will explode, if you attempt to force a bead seat, causing personal injury or death to operator and/or bystanders.



Custom and Special Wheels



Only tire technicians with experience and training on custom wheels should attempt to service expensive custom alloy or aluminum wheels and high-performance low-profile tires.

Alloy Wheels

Some manufacturers offer wheels with little or no drop center. These are not DOT approved. The tire or wheel - or both - can be damaged and the tire could explode under pressure, resulting in serious injury or death. Do not mount/demount this type of wheel (figure 28).

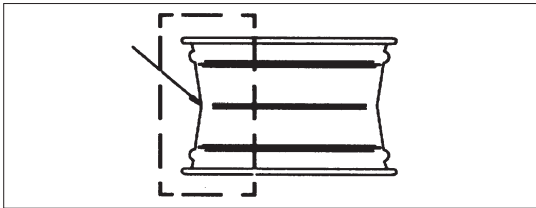


Figure 28 - No Drop Center

European Performance Wheels (Asymmetrical Hump)

Some European wheels have very large humps except near the valve hole. On these wheels, the beads should be loosened at the valve hole on both the upper and lower sides first (figure 29).

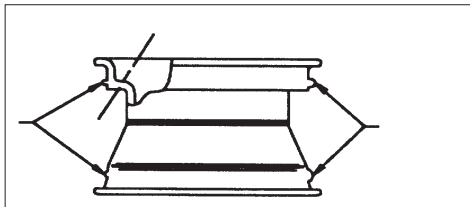


Figure 29 - Asymmetrical Hump on European Wheels

Wheels with Low Pressure Warning Sensors

Performance wheels on some vehicles (including Corvette, BMW, Lamborghini Diablo) have a pressure sensor strapped to the rim opposite the valve hole. On these wheels, the beads should be loosened at the valve hole on both upper and lower sides first (figure 30).

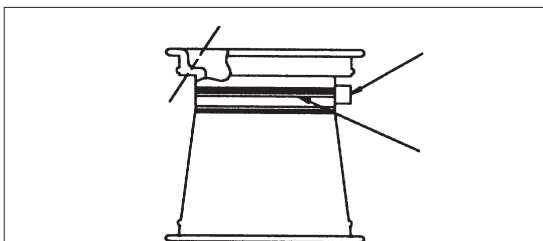


Figure 30 - Wheels with Low Pressure Sensor

Tube Type Tires

Mounting

1. Avoid pinching or forcing the tube.
2. Apply rubber lubricant to the beads of the tire.
3. Mount the bottom bead.
4. Round out the tube with a small amount of air.
5. Apply rubber lubricant to the tube.
6. Insert the tube into the tire.
7. Mount the top bead.

Demounting

1. After tire beads are loosened, lubricate the beads and rim liberally.
2. Position demount tool and bead lifting tool as described in steps 8 through 12 on pages 6 and 7. Depress table top pedal and rotate only a short distance at a time. This allows you to stop the process should the tube get pinched.
3. After upper bead is demounted, remove tube and demount lower bead.



Do It Now

Make sure the instruction and warning decal is clean and clearly visible to operator.



Maintenance Instructions

Read and follow all the maintenance instructions provided in this manual to keep the machine in good operating condition. Refer to the other materials received with the unit and to the service bulletins from the manufacturer for additional instructions on proper maintenance and service. Regular inspections and proper maintenance are essential to preventing accidents and injuries.



Before making any inspection, adjustment, or repair, disconnect the power source and block out all moving parts to prevent injury.



Keep the machine and the immediate work area clean. Do not use compressed air to remove dirt and debris from the machine. Foreign material may be propelled into the air and into operator or bystander causing personal injury.



Wear protective clothing, equipment and eye protection when making any adjustments or repairs to the machine.



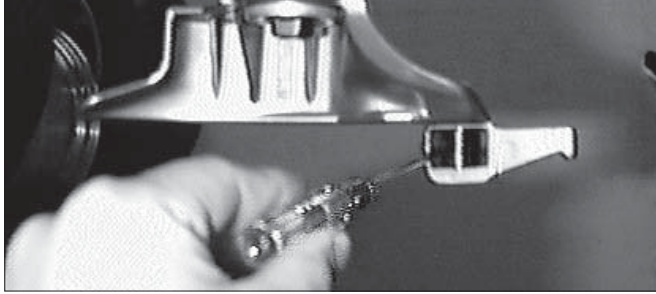
Replace any damaged or missing safety decals. They are available from COATS, (800) 688-6359.

Important: These instructions will help you service the unit. Instructions are for a person with some mechanical ability and training. No attempt has been made to describe all basic steps. For example, how to loosen or tighten fasteners. Also basic procedures such as cycling systems and checking operation of the equipment are not fully described since they are known to anyone who does mechanical and service work. Do not attempt to perform work beyond your ability or at which you have no experience. If you need assistance, call an authorized service center or contact COATS directly, (800) 688-6359.

1. The vertical slide should be cleaned with a vaporizing solvent and then lubricated with chassis grease once a month.
2. Check the adjustment of the Duckhead® mount/demount tool once a month. See instructions on page 18.
3. The table top, clamps, steel Duckhead mount/demount tool, and other working surfaces should be cleaned with a vaporizing solvent every month.
4. Inspect clamps. Remove metal chips and dirt from the serrations with a wire brush every month.
5. Check the tire pressure gauge function daily, and check the accuracy monthly. Use a pressurized tire and a high quality stick-type pressure gauge. If necessary, adjust the dial of the machine gauge. If the gauge is defective, replace it immediately (part number 8107985). Contact COATS at (615) 641-7533. Check function of the pressure limiter weekly. Always reinstall the lens after adjusting the gauge.
6. Make sure all fasteners are securely tightened.
7. Make certain that all guards and covers are in place.
8. Check for worn, damaged or missing parts including grips and protective covers. Replace them before allowing the unit to be used.
9. On a daily basis, inspect the unit and check to be certain that all systems are operating normally. Detailed inspection and testing procedures are specified for various components at regular intervals. Set up a chart and assign responsibility for these items.

Maintenance Instructions

Read and follow all the maintenance instructions pro-



vided in this manual to keep the machine in good operating condition. Refer to the other materials received with the unit and to the service bulletins from the manufacturer for additional instructions on proper maintenance and service. Regular inspections and proper maintenance are essential to preventing accidents and injuries.

WARNING

Before making any inspection, adjustment, or repair, disconnect the power source and block out all moving parts to prevent injury.

WARNING

Keep the machine and the immediate work area clean. Do not use compressed air to remove dirt and debris from the machine. Foreign material may be propelled into the air and into operator or bystander causing personal injury.

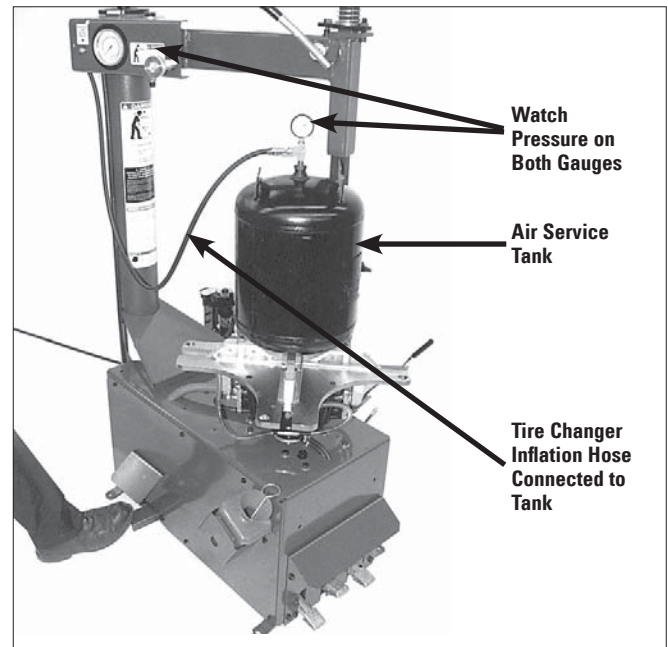
WARNING

Wear protective clothing, equipment and eye protection when making any adjustments or repairs to the machine.

CAUTION

Replace any damaged or missing safety decals. They are available from COATS, (800) 688-6359.

Important: These instructions will help you service the unit. Instructions are for a person with some mechanical ability and training. No attempt has been made to describe all basic steps. For example, how to loosen or tighten fasteners. Also basic procedures such as cycling systems and checking operation of the equipment are not fully described since they are known to anyone who does mechanical and service work. Do not attempt to perform work beyond your ability or at which



you have no experience. If you need assistance, call an authorized service center or contact COATS directly, (800) 688-6359.

1. The vertical slide should be cleaned with a vaporizing solvent and then lubricated with chassis grease once a month.
2. Check the adjustment of the Duckhead® mount/demount tool once a month. See instructions on page 18.
3. The table top, clamps, steel Duckhead mount/demount tool, and other working surfaces should be cleaned with a vaporizing solvent every month.
4. Inspect clamps. Remove metal chips and dirt from the serrations with a wire brush every month.
5. Check the tire pressure gauge function daily, and check the accuracy monthly. Use a pressurized tire and a high quality stick-type pressure gauge. If necessary, adjust the dial of the machine gauge. If the gauge is defective, replace it immediately (part number 8107985). Contact COATS at (615) 641-7533. Check function of the pressure limiter weekly. Always reinstall the lens after adjusting the gauge.
6. Make sure all fasteners are securely tightened.

Maintenance Instructions

Read and follow all the maintenance instructions provided in this manual to keep the machine in good operating condition. Refer to the other materials received with the unit and to the service bulletins from the manufacturer for additional instructions on proper maintenance and service. Regular inspections and proper maintenance are essential to preventing accidents and injuries.



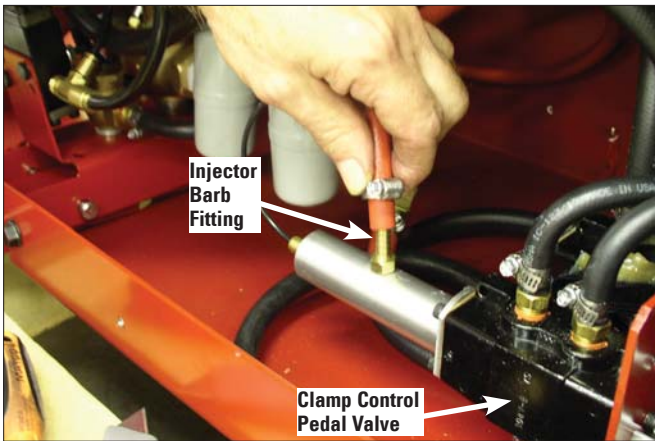
Before making any inspection, adjustment, or repair, disconnect the power source and block out all moving parts to prevent injury.



Keep the machine and the immediate work area clean. Do not use compressed air to remove dirt and debris from the machine. Foreign material may be propelled into the air and into operator or bystander causing personal injury.



Wear protective clothing, equipment and eye protection when making any adjustments or repairs to the machine.

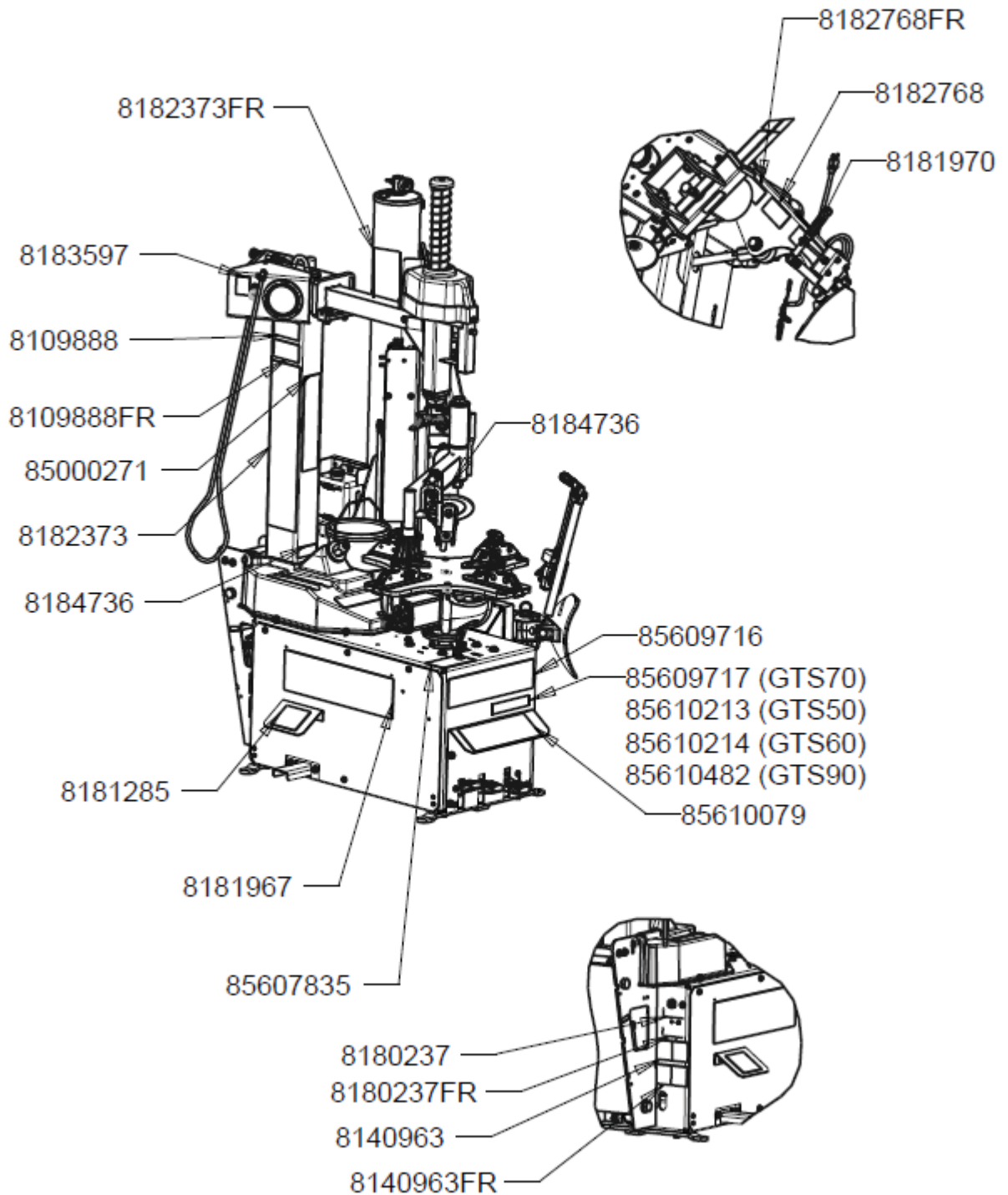


Replace any damaged or missing safety decals. They are available from COATS, (800) 688-6359.

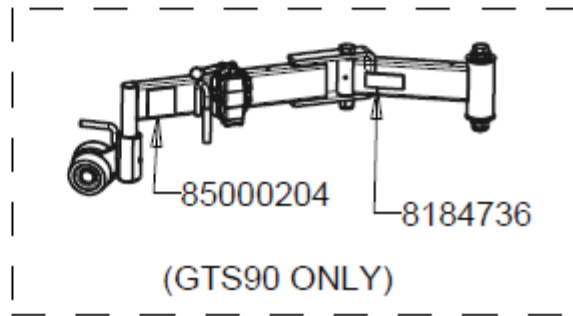
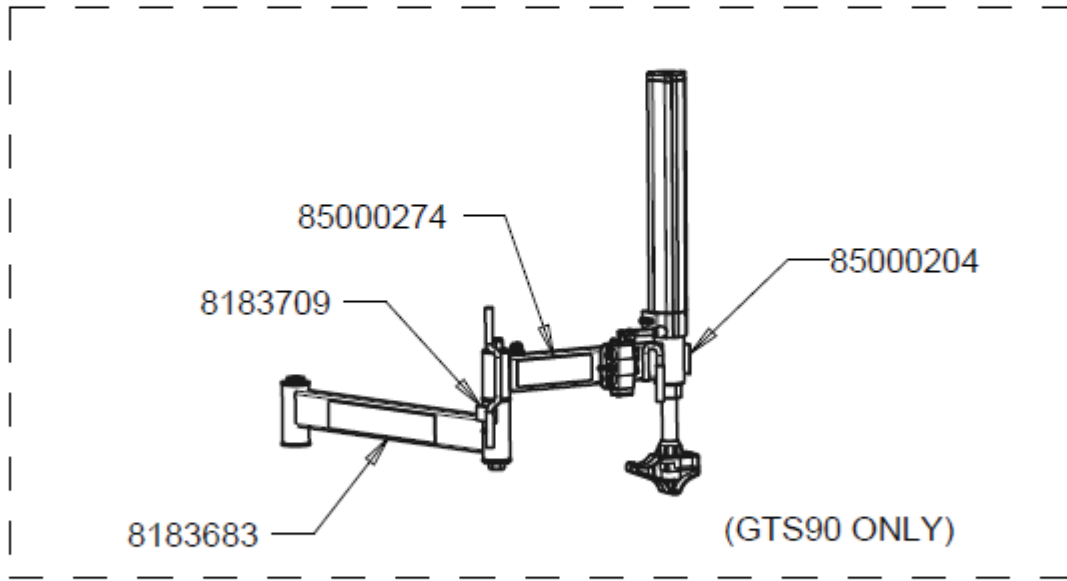
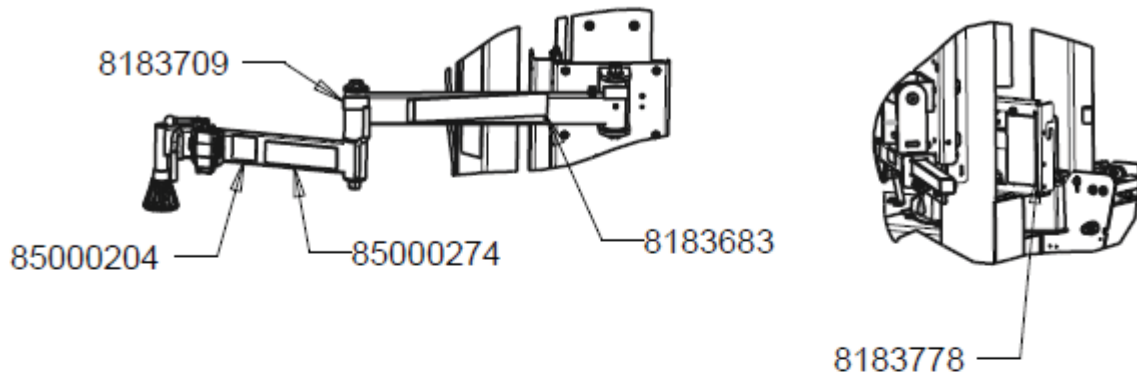
Important: These instructions will help you service the unit. Instructions are for a person with some mechanical ability and training. No attempt has been made to describe all basic steps. For example, how to loosen or tighten fasteners. Also basic procedures such as cycling systems and checking operation of the equipment are not fully described since they are known to anyone who does mechanical and service work. Do not attempt to perform work beyond your ability or at which you have no experience. If you need assistance, call an authorized service center or contact COATS directly, (800) 688-6359.

1. The vertical slide should be cleaned with a vaporizing solvent and then lubricated with chassis grease once a month.
2. Check the adjustment of the Duckhead® mount/demount tool once a month. See instructions on page 18.
3. The table top, clamps, steel Duckhead mount/demount tool, and other working surfaces should be cleaned with a vaporizing solvent every month.
4. Inspect clamps. Remove metal chips and dirt from the serrations with a wire brush every month.
5. Check the tire pressure gauge function daily, and check the accuracy monthly. Use a pressurized tire and a high quality stick-type pressure gauge. If necessary, adjust the dial of the machine gauge. If the gauge is defective, replace it immediately (part number 8107985). Contact COATS at (615) 641-7533. Check function of the pressure limiter weekly. Always reinstall the lens after adjusting the gauge.
6. Make sure all fasteners are securely tightened.
7. Make certain that all guards and covers are in place.
8. Check for worn, damaged or missing parts including grips and protective covers. Replace them before allowing the unit to be used.
9. On a daily basis, inspect the unit and check to be certain that all systems are operating normally. Detailed inspection and testing procedures are specified for various components at regular intervals. Set up a chart and assign responsibility for these items.

Decal Locations

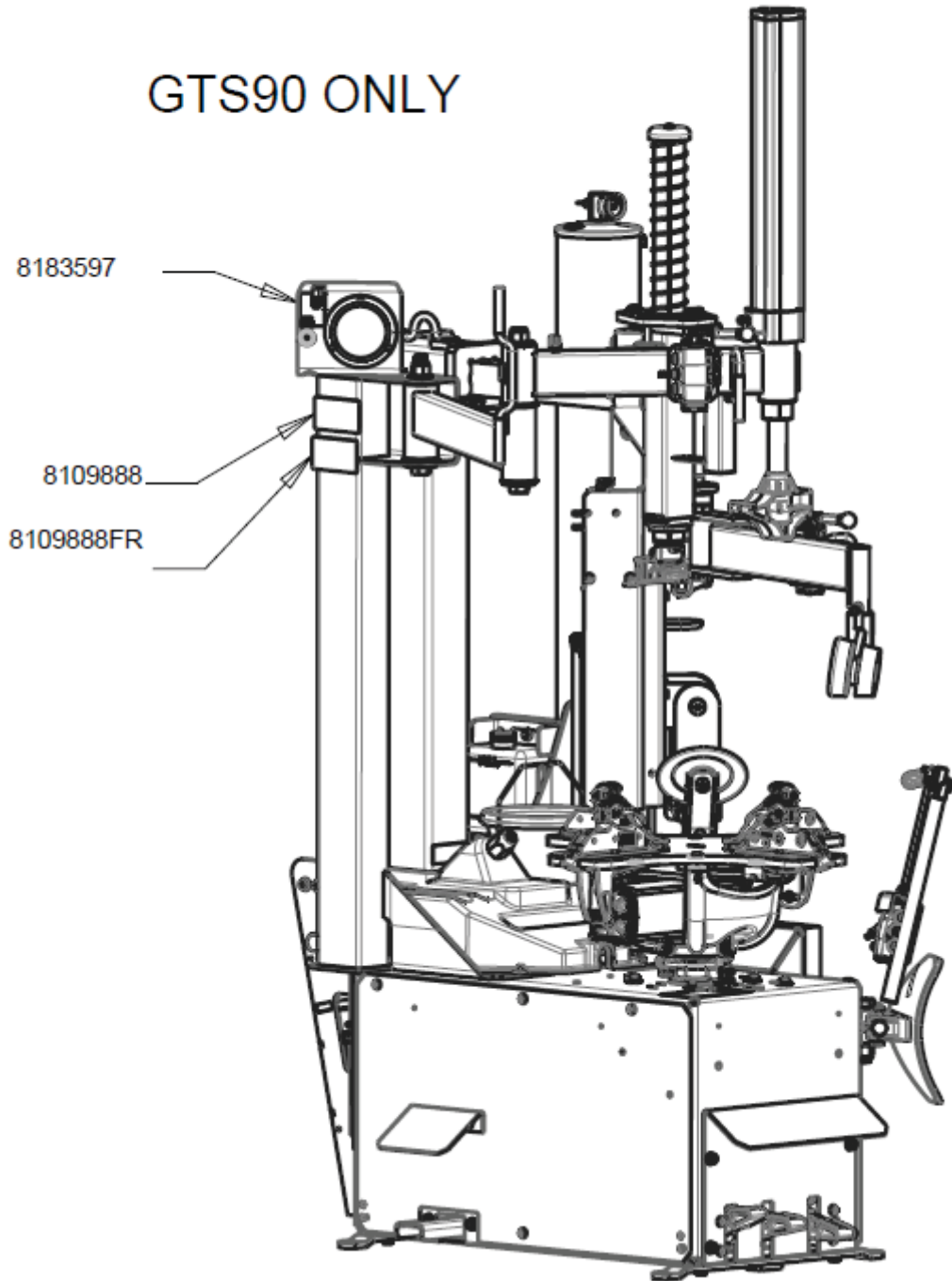


Decal Locations



Decal Locations

GTS90 ONLY



Notes

Notes

ONE WORD FOR SAFETY

R.I.M.

READ INSPECT MOUNT

READ...

Mounting and inflating the wrong size tire can get you hurt. *Read* the size on the tire and make sure it matches the rim. Be especially careful about putting a smaller tire on a larger rim, such as a 16-inch tire on a 16.5-inch rim.

Inflation of a mismatched tire and rim can cause an explosion.

INSPECT...

Before you put any tire on a rim, *inspect* the rim for rust, tough spots, bent edges, or cracks that could prevent the tire from seating right. If you spot any of these problems, don't mount the tire until the rim has been checked by your shop foreman.

Inspect the tire for bead damage.

MOUNT...

Once you've made sure the tire is OK and the right size and the rim is OK, *mount* the tire safely. NEVER, ever lean over the tire when you're inflating it. If a tire does explode, it will go straight up. You don't want to be over the tire if that happens. Also, never over-inflate the tire, even if the bead doesn't seat. Never inflate over 40 PSI. If the tire hasn't seated, something is wrong. Deflate the tire and check it and the rim again. If it doesn't work the second time, try another tire.

BE CAREFUL OF THESE SITUATIONS:

- | | | | |
|---|--|--|--|
| 1. Damaged Bead or Beads. | 4 A. Mismatched.
(A mis-match of a 16-inch tire to a 16.5-inch rim causing an explosion) | 5. Walk-In Tire and Rim. | 8. Standing Clear.
(Never put any part of your body over the tire changer during inflation.) |
| 2. Rusty Wheels.
(particularly in the bead seat area) | 4 B. Mismatched.
(16.5-inch tire on a 16-inch rim) | 6. Back Injuries. | 9. Beads will not Seat at 40 PSI. |
| 3. Bent or Cracked Wheels. | | 7. Hand or Finger Injuries.
(Hands or fingers too close to inflating tire or bead seats which may cause injury.) | 10. Improper Inflation. |

Remember R.I.M. (Read, Inspect, Mount) for every tire.



FAILURE TO READ AND FOLLOW ALL WARNINGS AND INSTRUCTIONS IN THIS MANUAL CAN LEAD TO SERIOUS PERSONAL INJURY OR DEATH TO OPERATOR OR BYSTANDER.

THE OWNER IS RESPONSIBLE FOR MAINTAINING THE OPERATION INSTRUCTIONS AND DECALS FOR OPERATOR REFERENCE. FOR ADDITIONAL COPIES, CONTACT HENNESSY INDUSTRIES, INC., 1601 J. P. HENNESSY DRIVE, LAVERGNE, TENNESSEE, 37086 - (800) 688-6359.

TIRE FAILURE UNDER PRESSURE IS HAZARDOUS! This tire changer Will Not Restrain Exploding Tires, rims or other related equipment.

TIRES CAN EXPLODE, ESPECIALLY IF INFLATED BEYOND SPECIFIED LIMITS. DO NOT EXCEED TIRE MANUFACTURERS RECOMMENDED AIR PRESSURE.

AN EXPLODING TIRE, RIM, OR BEAD SEATING EQUIPMENT MAY PROPEL UPWARD AND OUTWARD WITH SUFFICIENT ENERGY TO CAUSE SERIOUS INJURY OR DEATH TO OPERATOR AND/OR BYSTANDERS.