



Rim Clamp[®] Tire Changers

For servicing single piece automotive and most light truck tire/wheel assemblies.



Parts Identification

READ these instructions before placing unit in service. KEEP these and other materials delivered with the unit in a binder near the machine for ease of reference by supervisors and operators.



Parts Identification

The following pages include parts breakdowns with exploded view illustrations to help with ordering replacement or spare kits. Assemblies are noted where it is recommended that individual parts not be ordered separately. Note that the parts view illustrations are for multiple models and not all parts shown are on all models. Every effort is made to supply accurate exploded views, however, due to interim changes in manufacturing operations, some units may not be exactly as illustrated.

*Rim Clamp® are registered trademarks owned by
Hennessy Industries, Inc.*

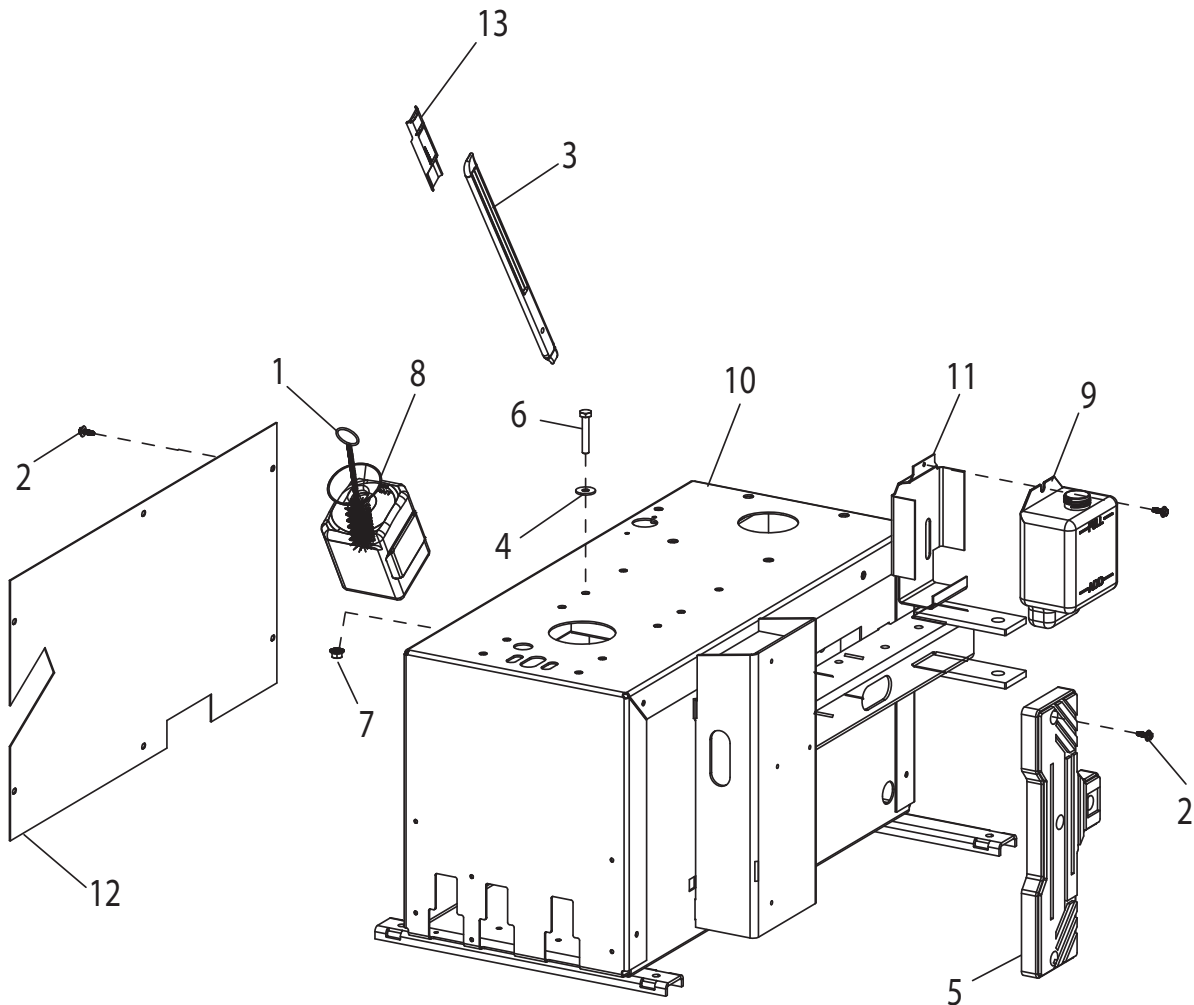
*Baseline™ is a trademark owned by
Hennessy Industries, Inc.*

Table of Contents

Parts Identification	2
Chassis Assembly	4
BL Arm Assembly	5
Inflation Bracket & Tiltback Tower Assembly ...	6
Tiltback Tower Arm Assembly	7
Foot Pedal Assembly	8
Table Top & Shaft Housing Assembly	9
Auxiliary Tower Assembly	10
Auxiliary Tower & Arm Assembly	11
Valve Assemblies	12
Electric Schematics	13
Pneumatic Diagrams	15

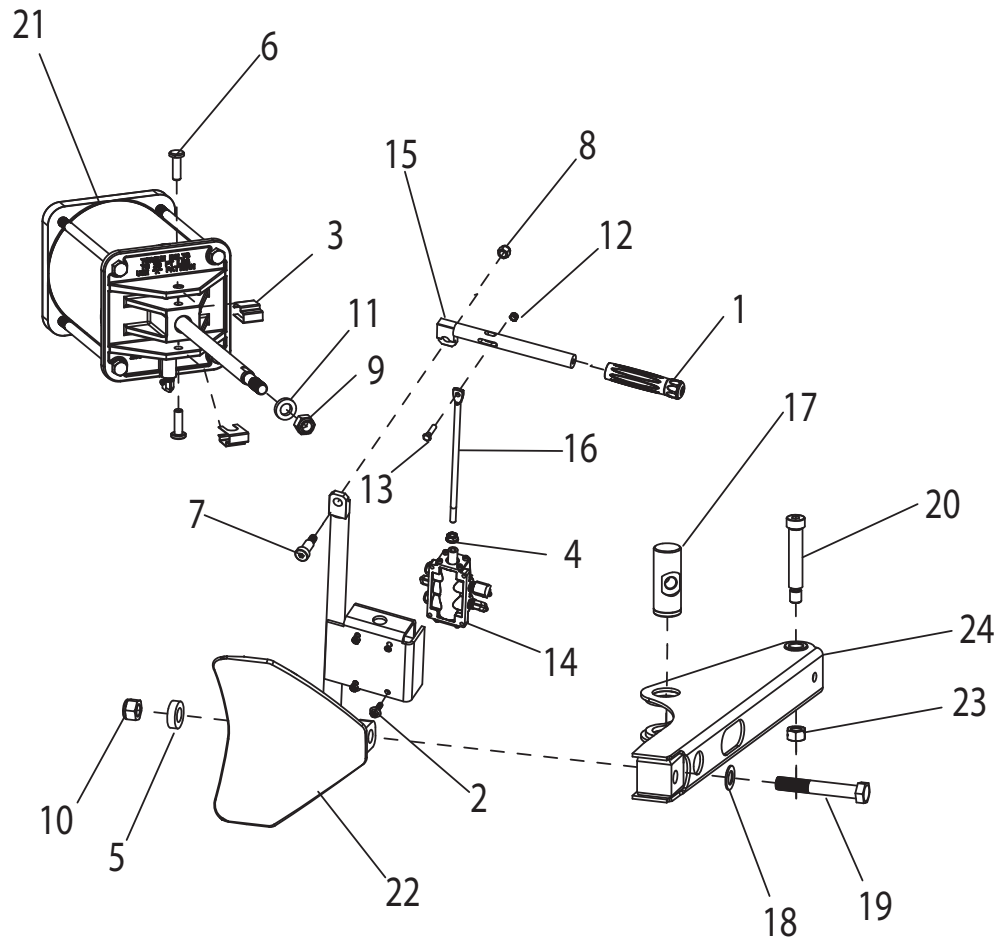
Chassis System

Item	Part No.	Description
1	8000491	Applicator Lube
2	8106301	Screw-1/4-20 x .75
3	8181354	Tool - Lifting, Bead
4	85606982	Washer - Plain, M10
5	85607027	Pad - Bead Loosener
6	85607258	Screw - HHCS
7	85607342	Nut - Hex
8	85610365	Bottle - Lube, Black
9	85610404	Tank, Lube Oil Reservoir
10	8560923301	Chassis - Weld Comp.
11	8560928301	Bracket, Oil Tank
12	8560950401	Chassis - Side Cover
13	85000783	Lift Tool Bootie Kit, Pkg of 10



BL Arm Assembly

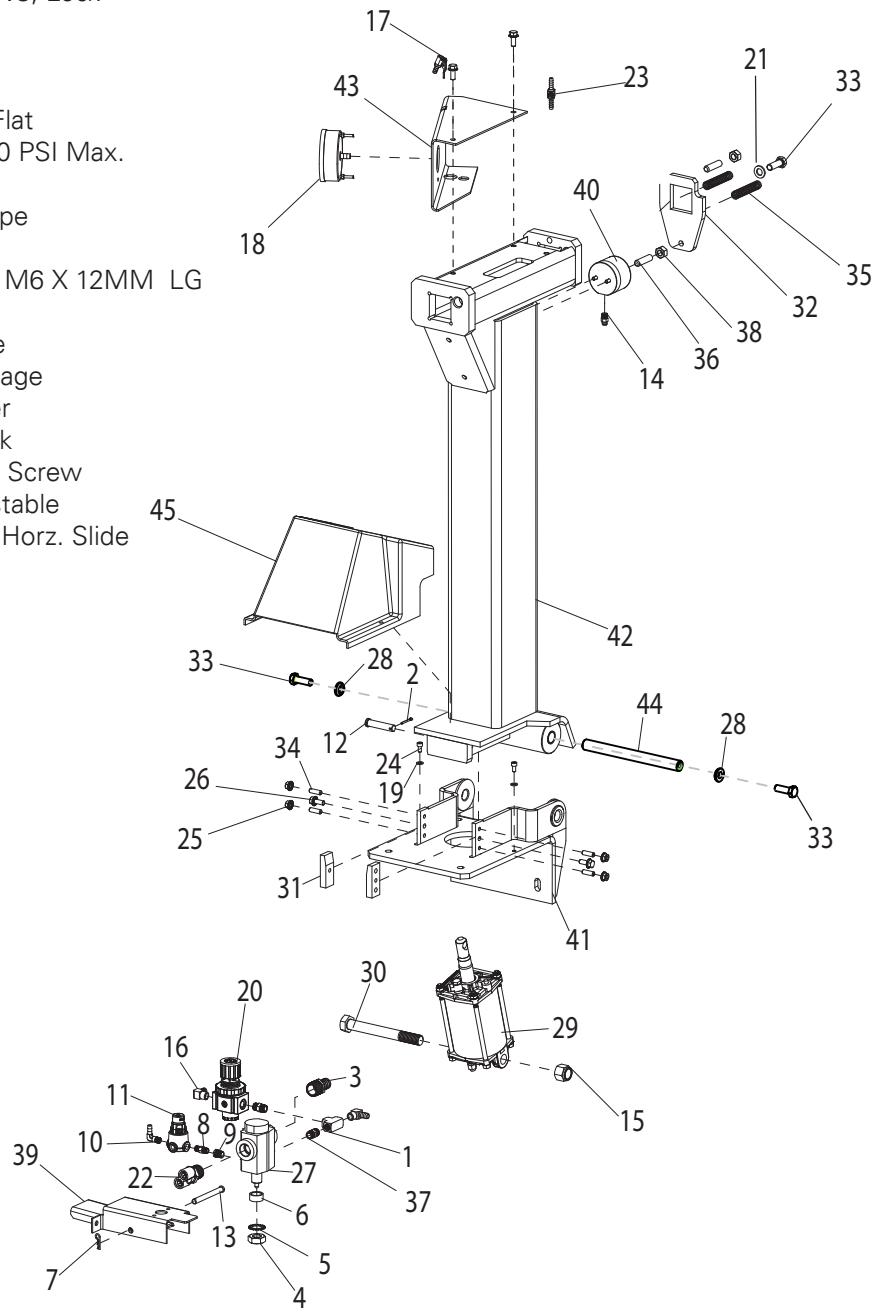
Item	Part No.	Description	Item	Part No.	Description
1	8100979	Grip-Handle,FLX,BLCK,3/4ID	13	85607532	Screw - HHCS, M6 x 25
2	8143168	Screw - Whiz Lock,	14	85608033	Valve_Asm_BL
3	8181912	Clip Clevis Retainer	15	85608034	Lever_Asm_BL
4	8182178	Nut - Whiz Lock	16	85608037	Link_Lever
5	8182557	B.L. Spacer-Washer	17	85608407	Pivot Pin-B.L. Shaft
6	8182708	Pin - Pivot,RC-15/20	18	85608415	Washer M18
7	8185558	Screw - Shoulder 1/2"	19	85608457	Screw-HHCS
8	8301035	Nut-3/8-16 Hex Nyloc	20	85608582	Screw - SHSS, 3/4x3.5
9	85606985	Nut - Hex, M16-1.5	21	85609288	Cylinder - Assembly, 7"
10	85607351	Nut - Hex, M18-2.5	22	85609350	Shoe Handle & Pivot
11	85607419	Washer, Flat, 17mm ID	23	85610432	Nut-Hex,Lck,Rvrs,5/8-11
12	85607531	Nut - Hex, Nylock M6	24	8560840903	B.L. Arm W/C



Inflation Bracket and Tiltback Tower Assy

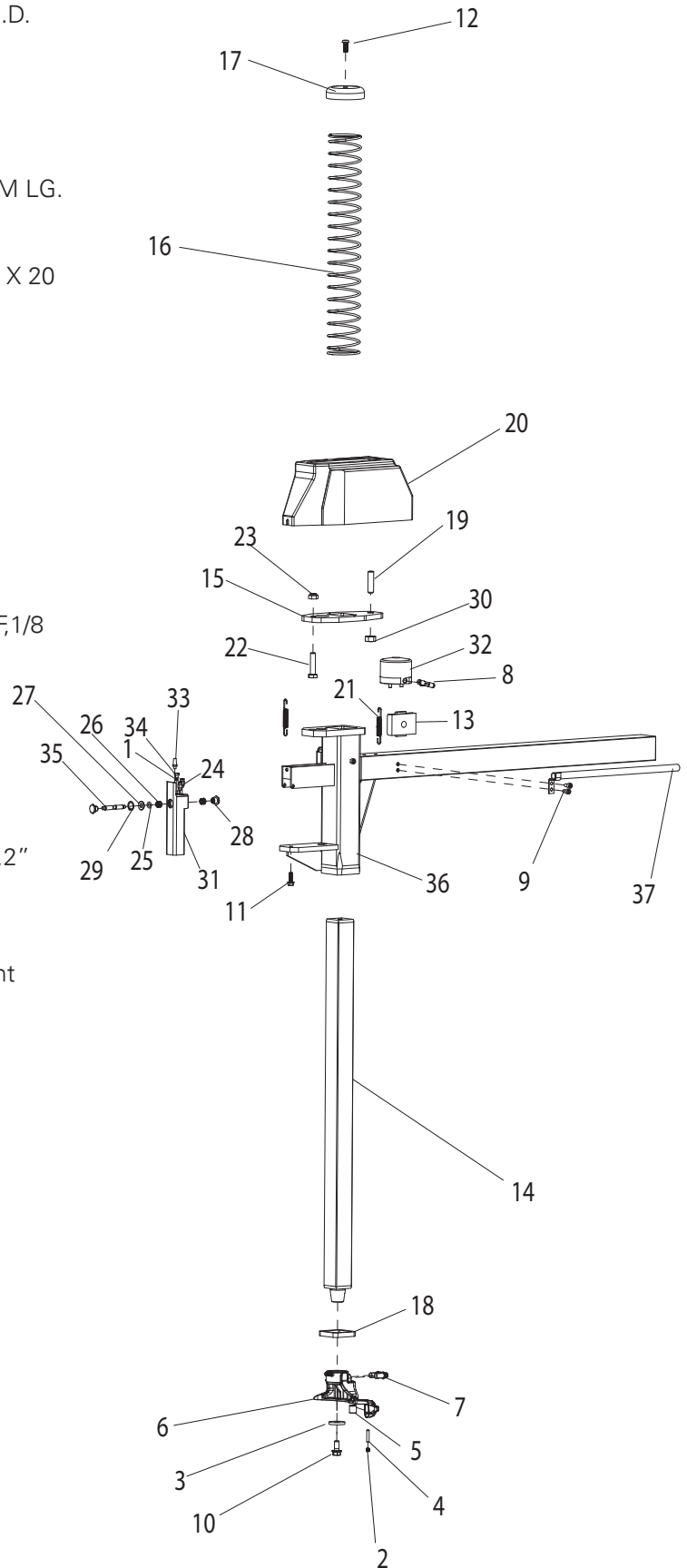
Item	Part No.	Description
1	8000643	Tee - 1/4" NPT
2	8102278	Pin - Cotter
3	8104573	3/4" Straight Fitting
4	8104610	Nut - Jam, 3/4-16
5	8104612	Washer - Lk, External, 3/4
6	8104674	Bushing - Valve, 3/4"
7	8107407	Hitch Pin Retainer
8	8109471	Nipple - Hex, 1/8 NPT
9	8109481	Fitting-Reducer, 1/4NPT X 1/8NPT
10	8110497	Fitting-90 EL, 1/8 NPTM X 1/4 Hose
11	8111083	Preset Non-Adjustable
12	8120129	2 1/4" X 1/2" Clevis Pin
13	8180103	Standard Clevis Pin
14	8181996	Fitting - Male, Straight
15	8182016	Nut - 3/4-10 UNC, Lock
16	8184256	Fitting - EL, 90
17	8410419	Chuck-Air
18	8766170	Gauge - Air
19	80180035	Washer - M6 Flat
20	85000627	Regulator - 200 PSI Max.
21	85606917	Washer-Flat
22	85607184	Fitting - "Y" Type
23	85607311	Fitting - Tee
24	85607322	Screw - SHCS M6 X 12MM LG
25	85607346	Nut - Hex
26	85607362	Screw - Flange
27	85607575	Valve - Dual Stage
28	85608689	Special Washer
29	85608634	Cyl, Tilting Back
30	85608638	Hex Head Cap Screw
31	85608686	Stopper, Adjustable
32	85608700	Locking Plate, Horz. Slide

Item	Part No.	Description
33	85608770	Bolt - HHCS
34	85608814	Set Screw
35	85608817	Spring, Compression
36	85608871	Screw, Set
37	85609282	Fitting-Nipple
38	85609466	Nut-Hex, M12X1.75
39	85610449	Pedal-Bracket, Inflation
40	85610737	Cylinder Assy,Lock,Slide,2"
41	85611078	Bracket, Tilting Tower, Wld
42	85611082	Tower, Tilting, Weldment
43	85611085	Top Pivot Bracket
44	85608687	Tiltback Tower Pivot Pin
45	8560882901	Cover, Tiltback Tower



Tiltback Tower Arm Assy

Item	Part No.	Description
1	940588	"O" Ring
2	8140667	Set Screw, Cup Point
3	8182027	Washer 1.32 O.D. X .406 I.D.
4	8182786	Dowell Pin-Metric
5	8182787	Roller-Mount/Demount
6	8182788	Mount/Demount
7	8182813	Screw-SPCL,3/8-16X3/4
8	85000045	Fitting-Tee, 1/8" X 1/8"
9	85607322	Screw - SHCS M6 X 12MM LG.
10	85607525	Screw - HSWF, M10 X 20
11	85607529	Screw - HSWF
12	85607535	Screw-BHSCS, M8 X 1.25 X 20
13	85608633	Foot, Rubber Pad
14	85608712	Shaft-Vertical Slide
15	85608713	Lock Plate - Vert Slide
16	85608732	Spring - Compression
17	85608804	Cap - Vertical Slide
18	85608819	Bumper - Rubber Stop
19	85608871	Screw, Set
20	85608874	Cover
21	85608886	Spring, Tension
22	85608891	Bolt - HHCS
23	85608892	Nut, Nylon Lock, M10X1.5
24	85608893	Fitting, Straight, 10-32 UNF, 1/8"
25	85609452	O-Ring
26	85609453	Spacer
27	85609454	Ring Block
28	85609455	Button
29	85609456	Retainer
30	85609466	Nut-Hex, M12X1.75
31	85610420	Body, Grip Valve
32	85610737	Cylinder Assy, Lock, Slide, 2"
33	85610750	Muffler, M5
34	85610751	Plug, W/Seal
35	85610752	Spool
36	85611086	Horizontal Slide, Weldment
37	8560906801	Tube - Weldment



Foot Pedal Assembly

Item	Part No.	Description	Item	Part No.	Description
1	8107635	Washer-Flat, 5/16	22	85606974	Sleeve - Switch Spring
2	8111609	Cotter-Hairpin	23	85606977	Screw - SHCS, M5 - 0.8 X 16mm
3	8113944	Screw - Truss Head	24	85607129	Switch - Reverse xxx
4	8120469	Hair Pin Clip	25	85607170	Fitting - St., P-T-C, 8MMX1/4 NPT
5	8181369	Nut-Hex, 1/4-20 UNC	26	85607173	Cable-Motor, Assembly
6	8181675	Pedal-Standard	27	85607181	Spacer-Valve, Clamp
7	8181695	Cam-Mounting Block	28	85607223	Cover - Reverse Switch
8	8181707	Torsion Spring	29	85607347	Spacer - Pedal
9	8181708	Spring-Extension	30	85607526	Washer - Fender, M8
10	8181948	Bearing-Nyliner	31	85607531	Nut - Hex, Nylock M6
11	8181977	Pin Clevis	32	85607532	Screw - HHCS, M6 x 25
12	8181981	5/16" Wave Washer	33	85607536	Nut - Hex, Nylock M5
13	8182363	Bracket - Elec., Switch Ext.	34	85607537	Screw-SHSHS,M5
14	8183398	Shaft-Pedal	35	85607541	Washer - Plain, M14
15	8183425	Plug - Pipe, 1/8" NPT	36	85607543	Screw - SHCS, M5-0.8x40
16	8184467	Fitting - 1/4 NPT, 3/8"	37	85607544	Lever - Switch Actuator
17	8184675	Assembly - Oil Injector	38	85607855	Muffler, Small, 1/4" NPT
18	85010038	Link-Cam Follower	39	85608545	10X16X1 Flat Washer
19	85606879	Valve - Assy	40	85608702	Bracket-Weldment
20	85606933	Bracket-Guide, Spring, Tension	41	8560697301	Lever - Switch, Actuator
21	85606972	Spacer - Pedal			

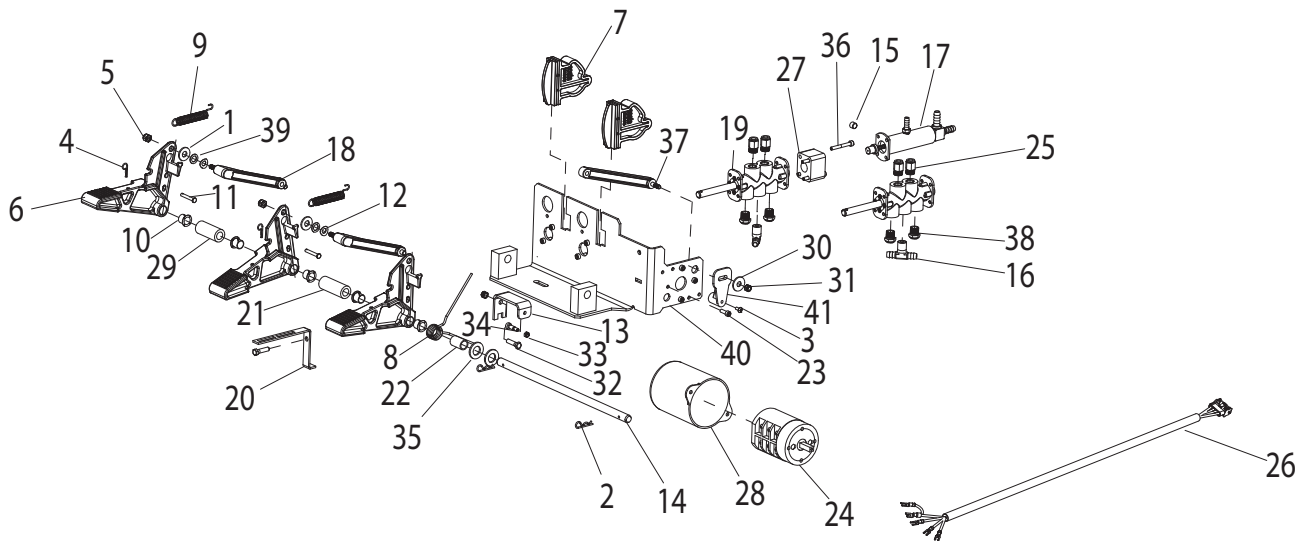
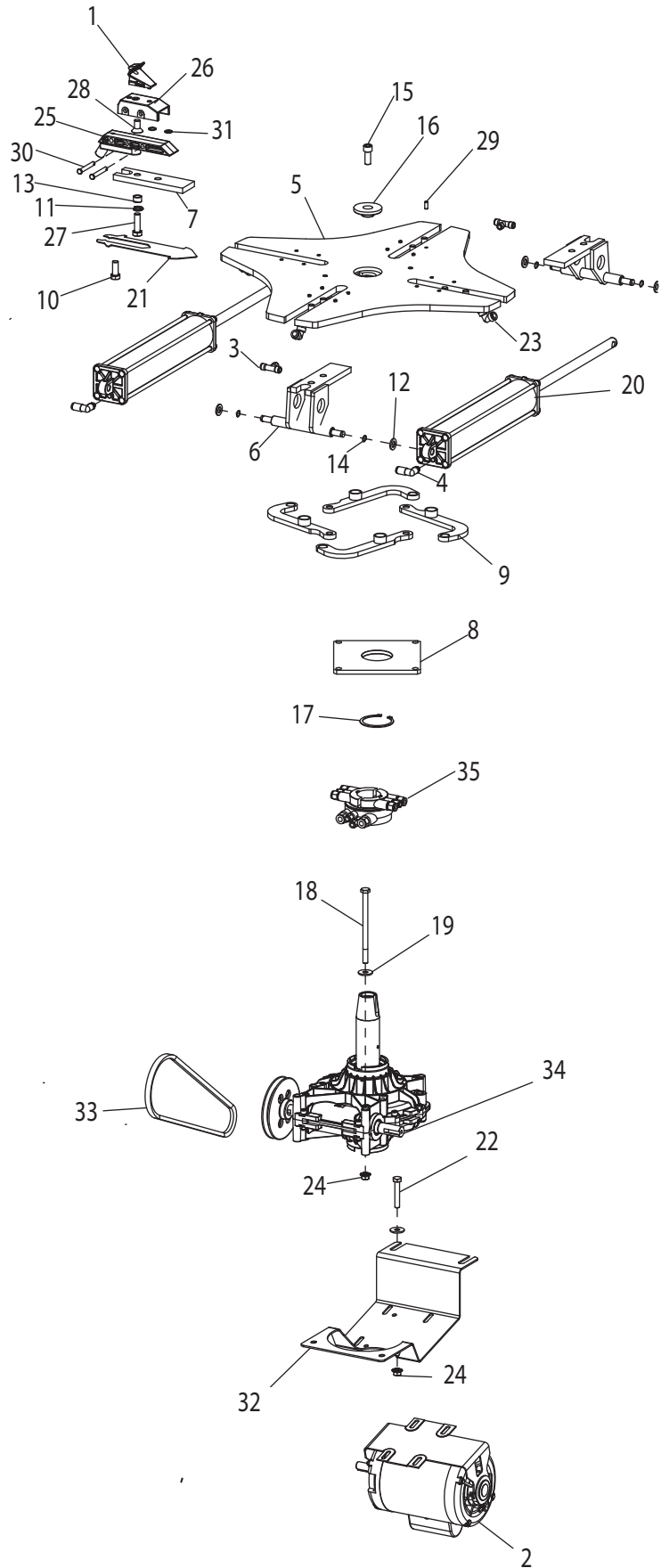


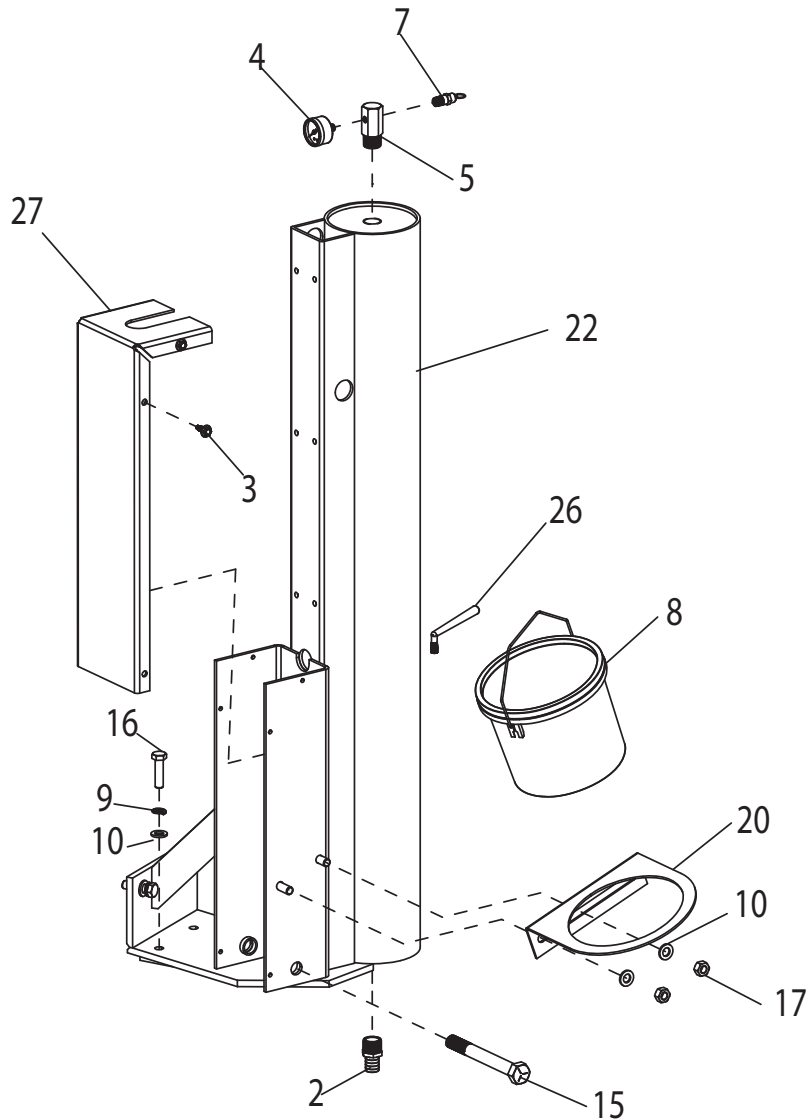
Table Top & Shaft Housing Assy

Item	Part No.	Description
1	8181677	Fixed Rim Clamp
2	8182621	Motor - 220-240 Volt Motor - 115 Volt
3	85000084	Fitting - Union Tee, 8MM
4	85000088	Elbow - 90 1/8 NPT x 8 mm
5	85606865	Plate-Table Top, Weldment
6	85606904	Slide - Carrier,
7	85606907	Plate-Carrier/Slide
8	85606910	Plate - Pivot W/C
9	85606913	Link - Pivot Assy. W/C
10	85606915	Bolt - HHCS
11	85606916	Washer - Lock, Spring, M12
12	85606917	Washer-Flat
13	85606918	Sleeve - Pivot, Link
14	85606919	Retaining Ring - Ext.
15	85606967	Screw - SHCS, M12-1.75
16	85606968	Hub - Table Top
17	85606971	Retaining Ring - Ext.
18	85606979	Bolt - HHCS,
19	85606982	Washer - Plain, M10
20	85607010	Cylinder-Assy, 3"
21	85607212	Slide Stopper
22	85607258	Screw - HHCS,
23	85607264	Fitting - Elbow, Push To
24	85607342	Nut - Hex
25	85607646	Carrier - Bottom
26	85607647	Carrier - Top
27	85607648	Bolt - HHCS,
28	85607869	Screw-FHSC, M12x1.75x25mm
29	85607890	Pin - Roll,
30	85608643	Pin-Clevis
31	85608644	Pin-Cotter, Circle
32	85609353	Bracket - Electric Motor
33	85609354	V-Belt
34	85609393	Transmission Assy.
35	85607133	Rotary Coupling



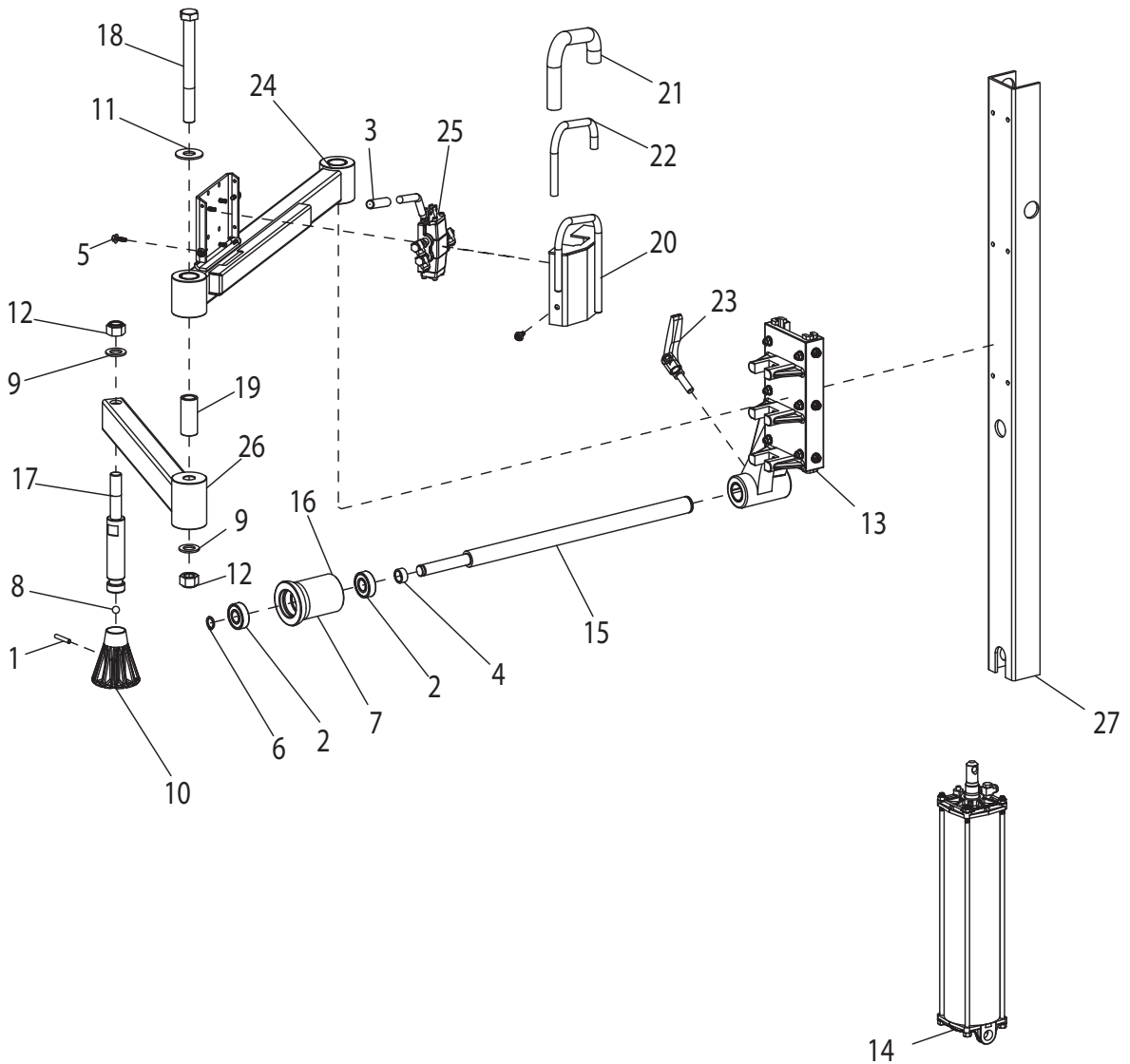
Auxiliary Tower Assy

Item	Part No.	Description
1	8104573	3/4" Straight Fitting
2	8106301	Screw-1/4-20 X .75,
3	8108968	Gauge - Air, 0-300, 1/8" NPT
4	8109784	Manifold/Gauge Protector
5	8182599	Relief Valve-1/4 NPT
6	8183710	Cream -Mounting
7	85606916	Washer - Lock, Spring, M12
8	85606917	Washer-Flat
9	85608638	Hex Head Cap Screw
10	85608769	Bolt - HHCS
11	85609466	Nut-Hex, M12X1.75
12	8560887001	Bracket, Lube Paste
13	8560925601	Tower, Right Assist, Weldment
14	85000850	Tire Past Brush
15	8560876401	Bracket, front

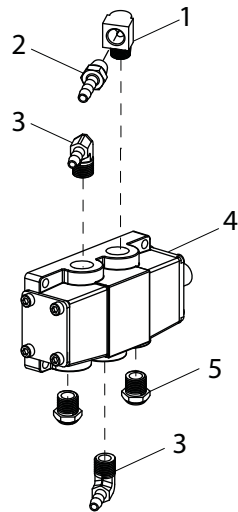


Auxiliary Tower & Arm Assy

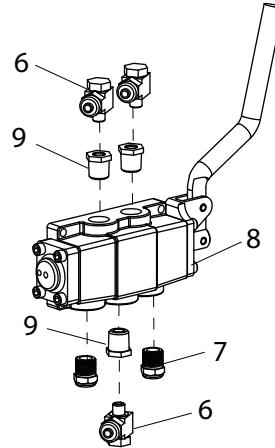
Item	Part No.	Description	Item	Part No.	Description
1	905563	Roll Pin	15	85608777	Rod,30mm Diameter
2	920861	Bearing - 20 x 47 x 14	16	85608782	Roller & Bearing Assy
3	7000230	Grip - Handle	17	85608798	Shaft-Piston,32MM
4	8104674	Bushing - Valve, 3/4"	18	85608799	Screw - HHCS
5	8143168	Screw - Whiz Lock	19	85608800	Collar,20X30
6	8185550	Ring - Retaining Ext. 5160-75	20	85609602	Cover, Weldment
7	8185572	Roller - 2 3/4" X 4"	21	85609605	Grip-Foam, Handle
8	8301017	Ball - Steel	22	85609632	Tube,Shrinkageable,17MM
9	85607353	Washer - Flat,	23	85610410	Grip,M12-40
10	85607622	Foot - Robo,	24	85611093	Arm, Rear, Assist Tower
11	85607626	Washer-Flat, M20x50mm	25	see pg. 12	Auxillary Arm Valve Assy
12	85607629	Nut - Hex, Nylock	26	8560879501	Arm, Front, Weldment
13	85608754	Slider, Vertical, Assy	27	8560925601	Tower, Right Assist, Weldment
14	85608758	Cyl, Tilting Back			



Valve Assemblies



**Bead Loosener Arm
Valve Assembly**

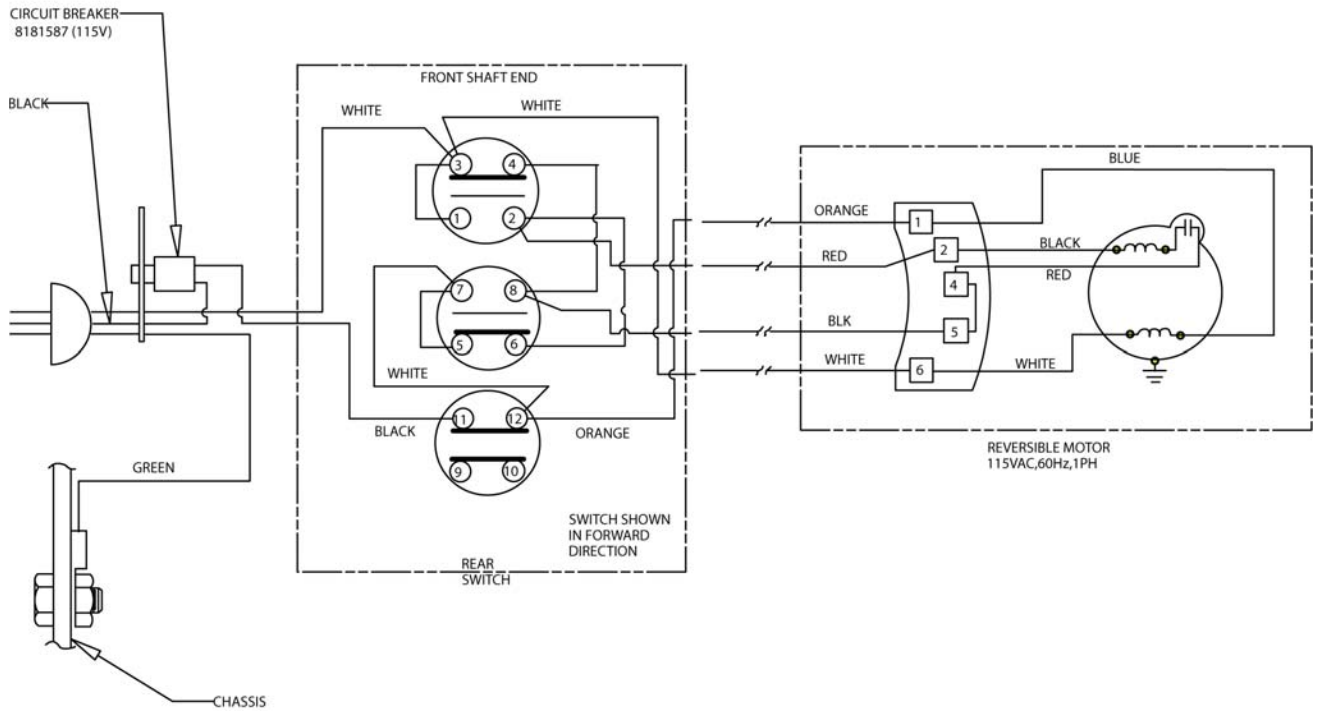


**Bead Loosener Arm
Valve Assembly**

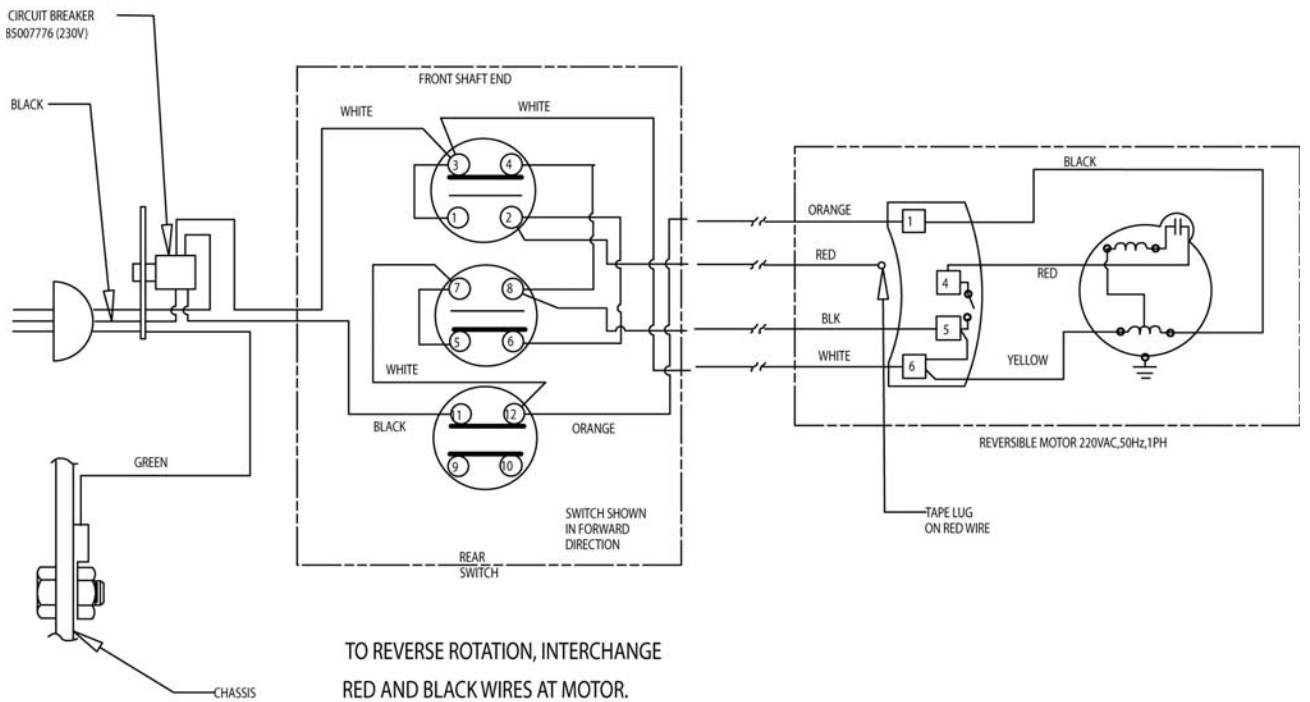
Item	Part No.	Description
1	8000372	1/4 NPT, 90° St. ELL Fitting
2	8000378	1/4" Brass St. Fitting
3	8000376	ELL 90° 1/4 Hose Fitting
4	8184878	4-way Valve, Pedal Operated
5	85607855	1/4 NPT Muffler, Small
6	85608828	M8 x 1.25/8 Banjo Fitting
7	8105615	Small Muffler
8	818558501	3 Position Valve
9	85608827	1/4 NPT & M10 x 1.25 Coupler

Electric Schematics

115V Motor

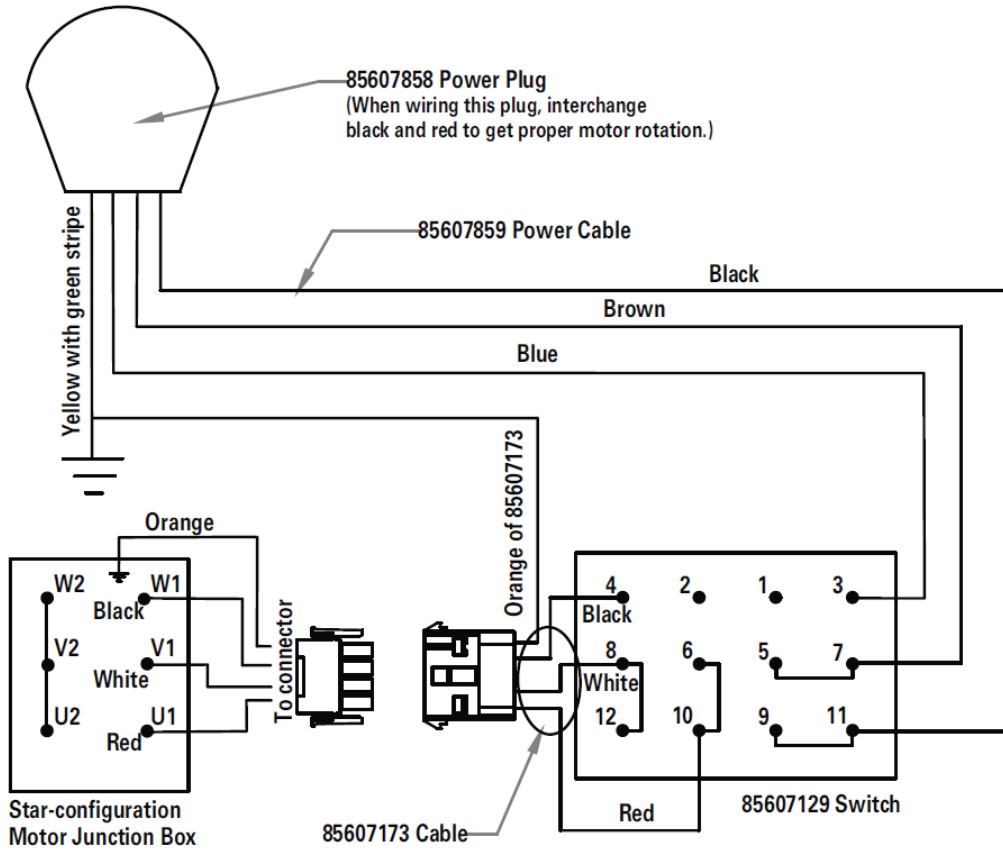


220V Motor

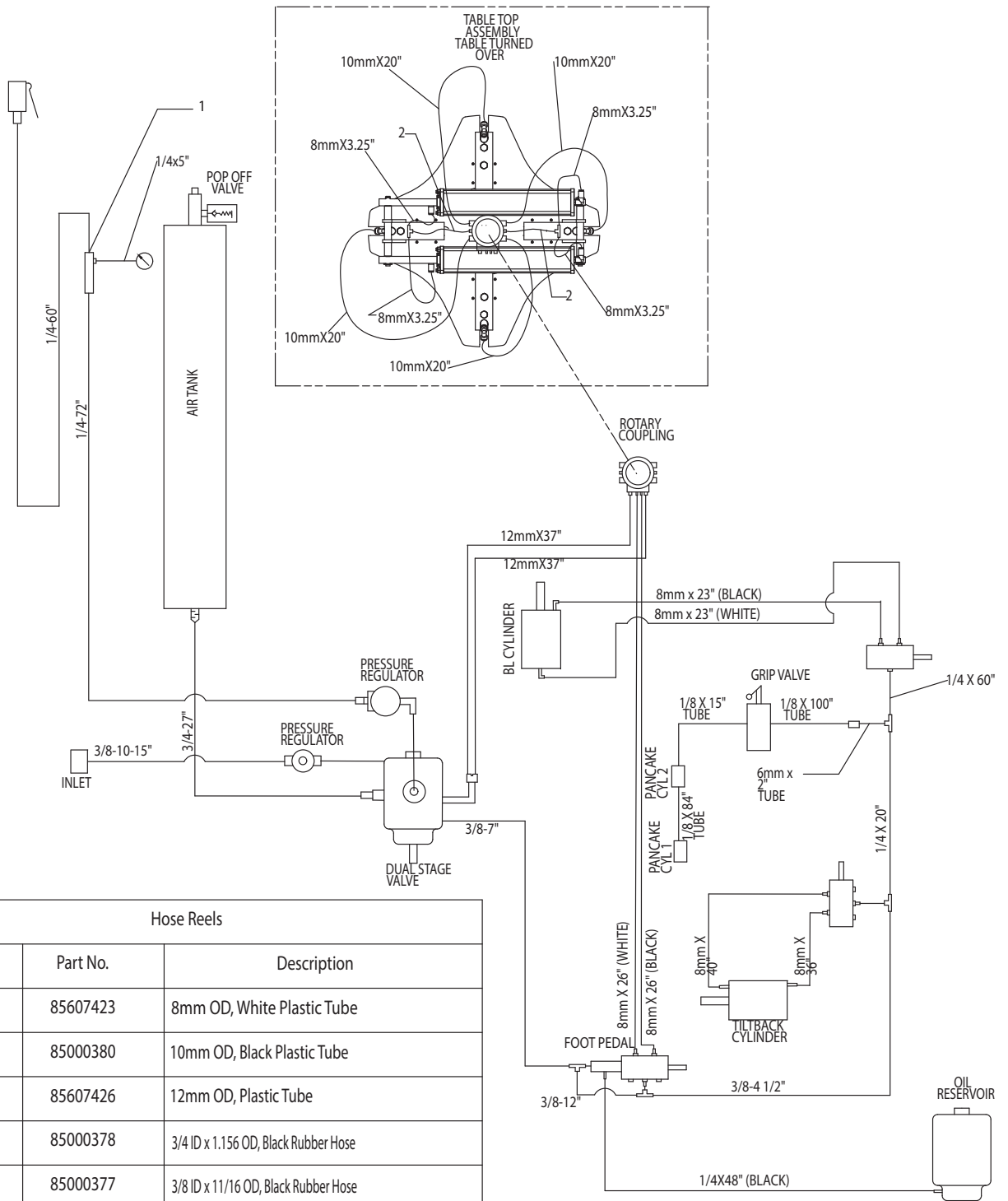


Electric Schematics

380V Motor



Pneumatic Diagram



Hose Reels		
Length	Part No.	Description
25-ft	85607423	8mm OD, White Plastic Tube
80-ft	85000380	10mm OD, Black Plastic Tube
25-ft	85607426	12mm OD, Plastic Tube
80-ft	85000378	3/4 ID x 1.156 OD, Black Rubber Hose
50-ft	85000377	3/8 ID x 11/16 OD, Black Rubber Hose
50-ft	85000375	1/4 ID x 1/2 OD, Black Rubber Hose
60-ft	8099075	1/8 OD x .020, Black Nylon Tube
Item No.	Part No.	Description
1	85607311	1/4 BRB TEE FITTING
2	85607882	8mm OD, Plastic Coil Hose Ass'y

